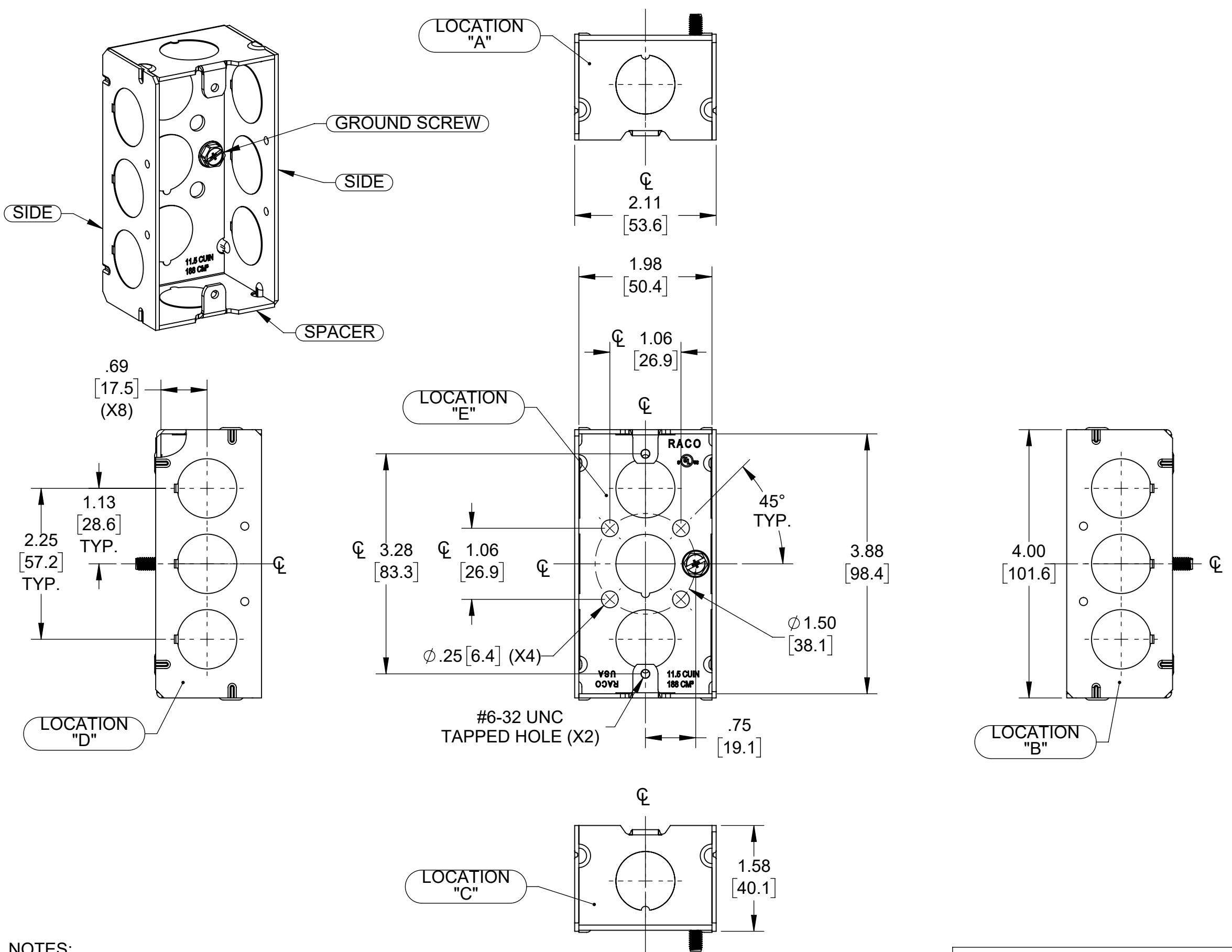


**LIST OF PARTS**

DESCRIPTION	MATERIAL	FINISH
SPACER	STEEL	GALVANIZED
SIDES	STEEL	GALVANIZED
FASTENERS	STEEL	GALVANIZED



**NOTES:**  
 1. ALL DIMENSIONS ARE IN INCHES AND [MILLIMETERS]  
 2. BOX VOLUME: 11.5 IN<sup>3</sup> [270.4] CM<sup>3</sup>  
 3. cULus LISTED

KNOCKOUTS		
TRADE SIZE	LOCATION	QTY.
3/4" KO	A,C	1
3/4" KO	B,D,E	3

TOLERANCE UNLESS OTHERWISE SPECIFIED  
 .XX DECIMAL ±.015  
 .XXX DECIMAL ±.005  
 ANGLE ±2°

**RACO**  
 South Bend, Indiana

DRAWN BY:	RMV	SCALE:	1:1.5
APP. BY:	N.S.	DATE:	11-21-17

INITIAL RELEASE	RMV	11-21-17
SYMBOL	REVISION DESCRIPTION	APP DATE

THE DESIGN AND DIMENSIONS OF THE PRODUCT SHOWN ON THIS DRAWING ARE SUBJECT TO CHANGE WITHOUT NOTICE

TITLE:  
**4" X 1.5" WELDED HANDY BOX W/ (11) 1/2" KO'S & GROUND SCREW**