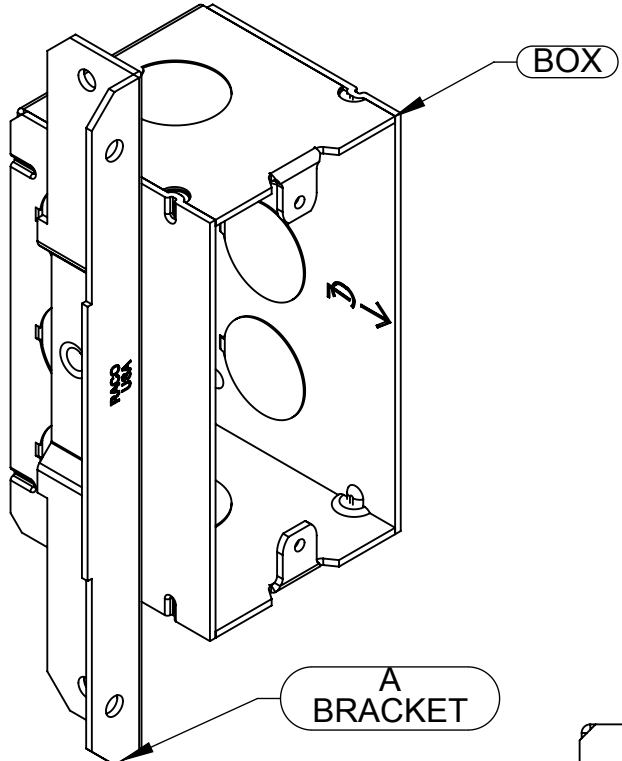


LIST OF PARTS

DESCRIPTION	MATERIAL	FINISH
BOX	STEEL	GALVANIZED
A BRACKET	STEEL	GALVANIZED



5/8" SETBACK

.75 TYP.
[19.1]

2.11
[53.5]

A BRACKET

6.44
[163.5]

1.98
[50.4]

1.06
[26.9]

3.28
[83.4]

1.06
[26.9]

3.88
[98.4]

4.00
[101.6]

Ø .19
[4.8]
X4

Ø .25
[6.4]
X4

#6-32 TAPPED HOLE X2

#10-32 TAPPED HOLE

2.33
[59.1]

KNOCKOUTS		
TRADE SIZE	LOCATION	QTY.
1/2" KO	A,B	3
1/2" KO	C,D	1

INITIAL RELEASE	N.S.	02/29/2016
SYM.	REVISION DESCRIPTION	APP DATE

THE DESIGN AND DIMENSIONS OF THE PRODUCT SHOWN ON THIS DRAWING ARE SUBJECT TO CHANGE WITHOUT NOTICE

TITLE:
4" X 2" HANDY BOX 2-1/8" DEEP WITH A BRACKET

TOLERANCE UNLESS OTHERWISE SPECIFIED
.XX DECIMAL ±.015
.XXX DECIMAL ±.005
ANGLE ±2°

RACO
South Bend, Indiana

DRAWN BY:	J.R.	SCALE:
APP. BY:	N.S.	2:3
DATE:	02/29/2016	

- NOTES:
- ALL DIMENSIONS ARE IN INCHES AND [MILLIMETERS]
 - BOX VOLUME: 16.5 IN³ [270.4 CM³]
 - UL LISTED