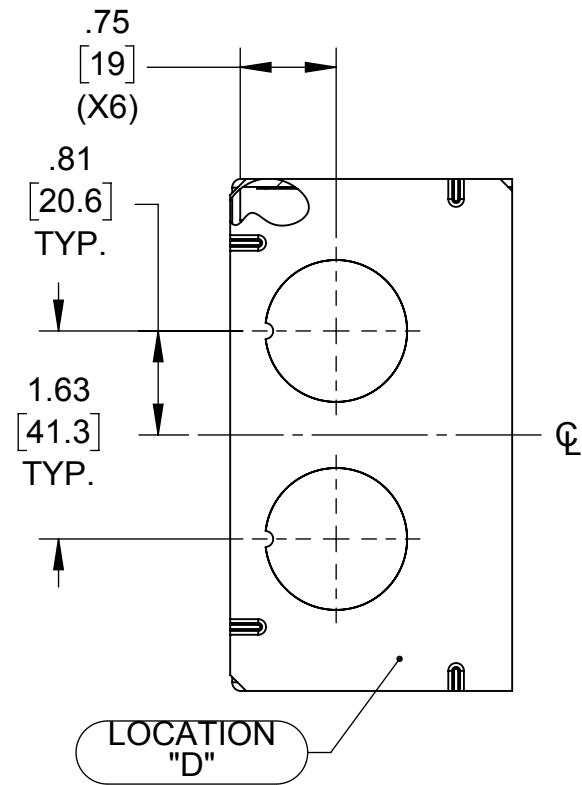
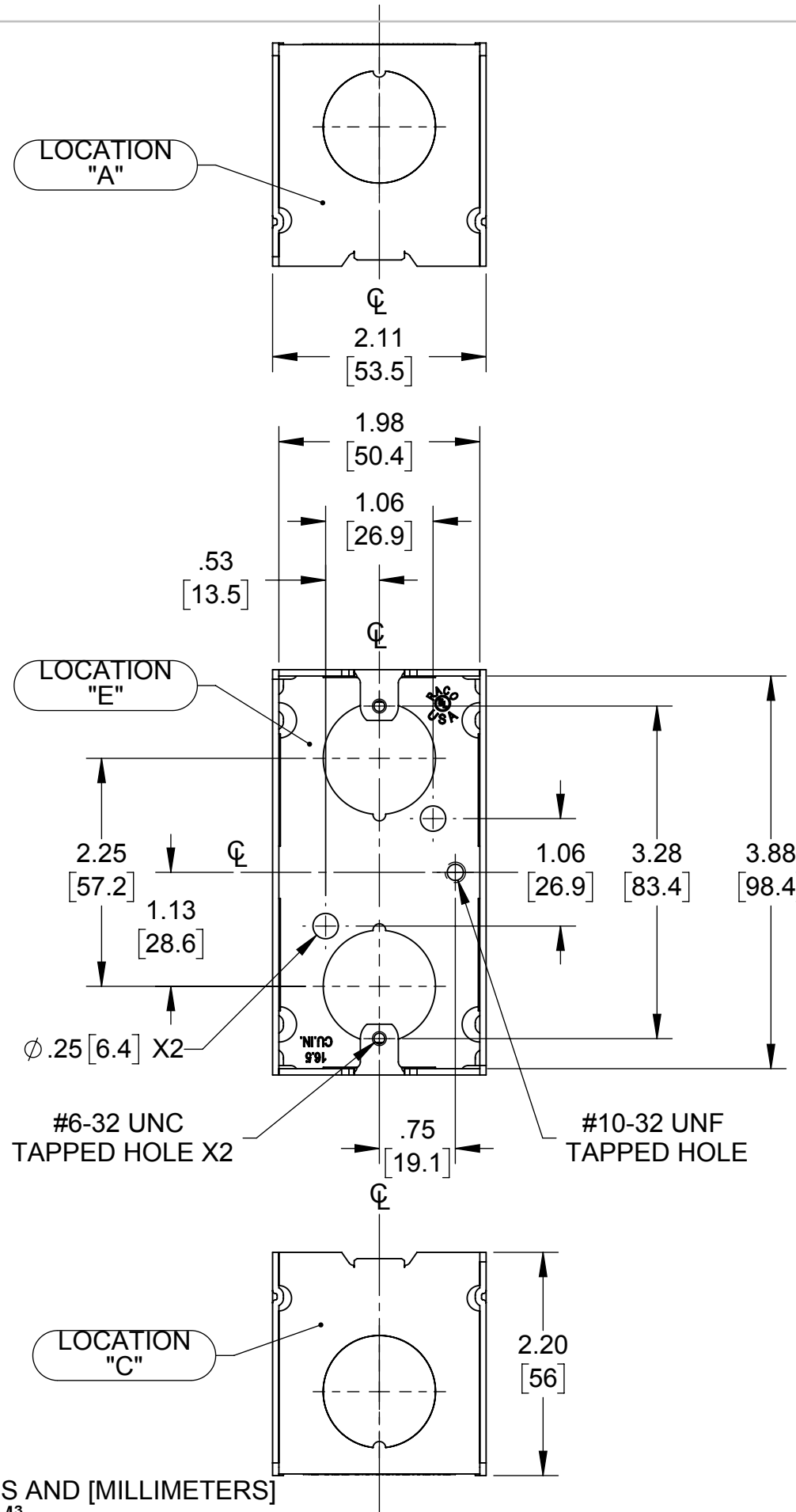
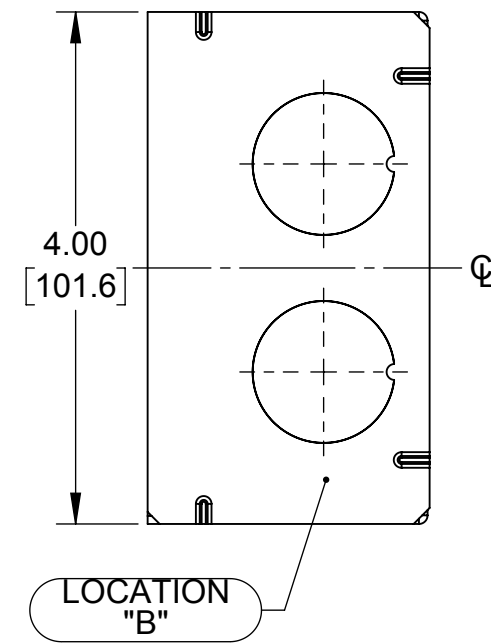
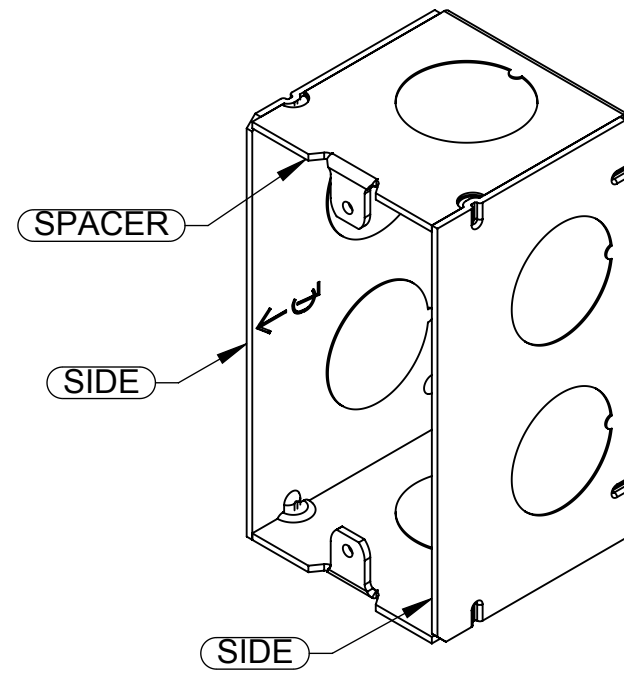


**LIST OF PARTS**

DESCRIPTION	MATERIAL	FINISH
SPACER	STEEL	GALVANIZED
SIDES	STEEL	GALVANIZED
FASTENERS	STEEL	GALVANIZED



- NOTES:
1. ALL DIMENSIONS ARE IN INCHES AND [MILLIMETERS]
  2. BOX VOLUME: 16.5 IN<sup>3</sup> [270.4] CM<sup>3</sup>
  3. UL LISTED

KNOCKOUTS		
TRADE SIZE	LOCATION	QTY.
3/4" KO	A,C	1
3/4" KO	B,D,E	2

TOLERANCE UNLESS OTHERWISE SPECIFIED  
 .XX DECIMAL ±.015  
 .XXX DECIMAL ±.005  
 ANGLE ±2°

<b>RACO</b> South Bend, Indiana		
DRAWN BY:	RMV	SCALE:
APP. BY:	N.S.	1:1.5
DATE:	01/11/17	

SYMBOL	REVISION DESCRIPTION	APP	DATE
	INITIAL RELEASE	RMV	01/11/17

THE DESIGN AND DIMENSIONS OF THE PRODUCT SHOWN ON THIS DRAWING ARE SUBJECT TO CHANGE WITHOUT NOTICE

TITLE:  
**4" X 2" HANDY BOX 2-1/8" DEEP**