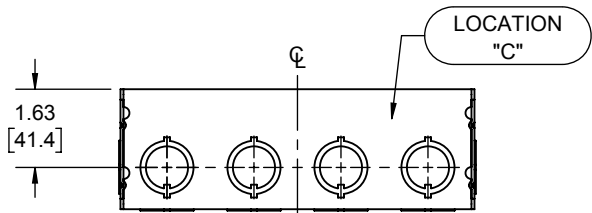
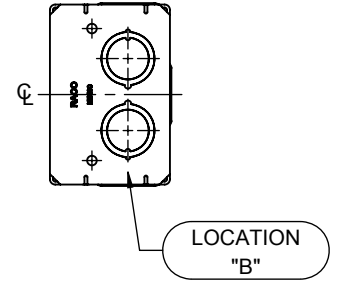
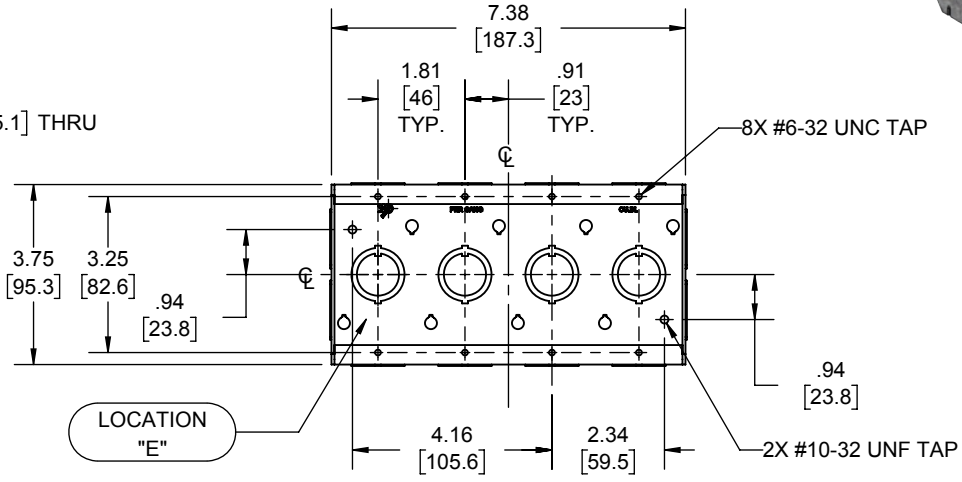
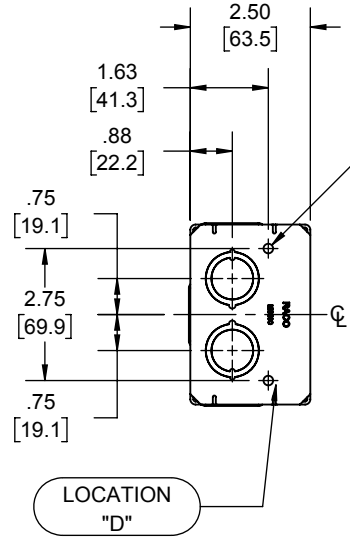
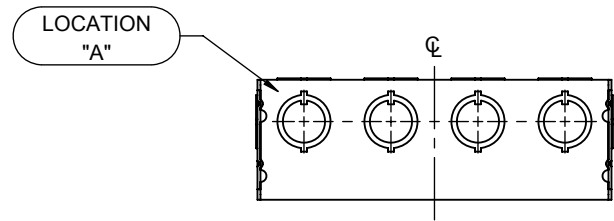


REVISIONS			
REV.	DATE	DESCRIPTION	BY:
-	10-07-19	INITIAL RELEASE	RMV



SIDES	STEEL	GALVANIZED
SPACER	STEEL	GALVANIZED
DESCRIPTION	MATERIAL	FINISH

**LIST OF PARTS**

THE DESIGN AND DIMENSIONS OF THE PRODUCT SHOWN ON THIS DRAWING ARE SUBJECT TO CHANGE WITHOUT NOTICE

TITLE:  
**4 GANG MASONRY BOX, 2-1/2" DP. W/ 1/2"-3/4" CONCENTRIC KO'S**

- NOTES:
1. ALL DIMENSIONS ARE IN INCHES AND [MILLIMETERS]
  2. BOX VOLUME: 63.5 IN<sup>3</sup> [1040.6 CM<sup>3</sup>]
  3. ACCEPTS # 971 PARTITION, SOLD SEPARATELY
  4. ACCEPTS # 701FG GANGABLE PROTECTOR PLATE, SOLD SEPARATELY
  5. UL LISTED

KNOCKOUTS		
TRADE SIZE	LOCATION	QTY.
1/2"-3/4" CONCENTRIC KO	A, C, E	4
1/2"-3/4" CONCENTRIC KO	B, D	2
1/4" KO	E	8

TOLERANCE UNLESS OTHERWISE SPECIFIED  
.XX DECIMAL ± .015  
.XXX DECIMAL ± .005  
ANGLE ± 2°



DRAWN BY:	RMV	SCALE:	SIZE:
APP. BY:	N.S.	1:4	<b>A</b>
DATE:	10-07-19		