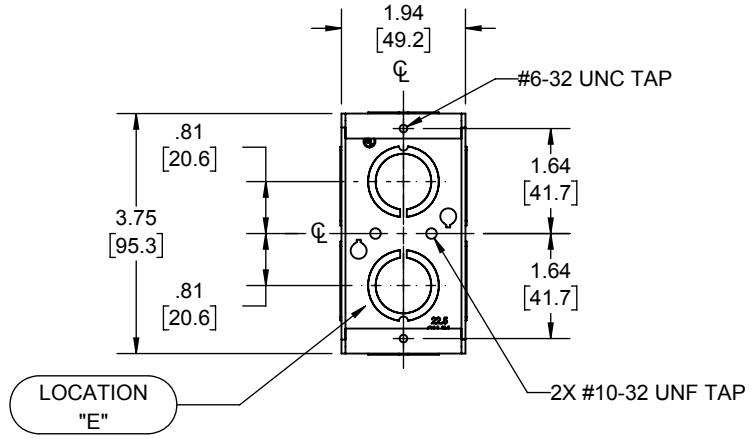
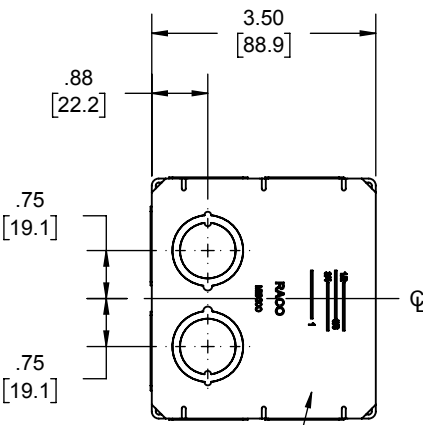
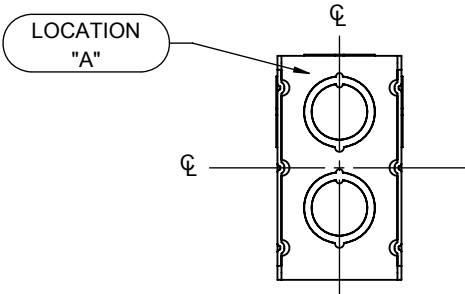
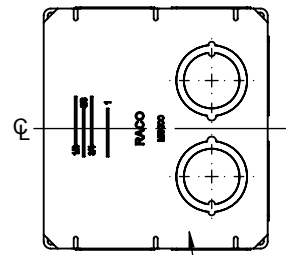
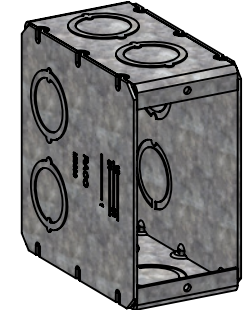


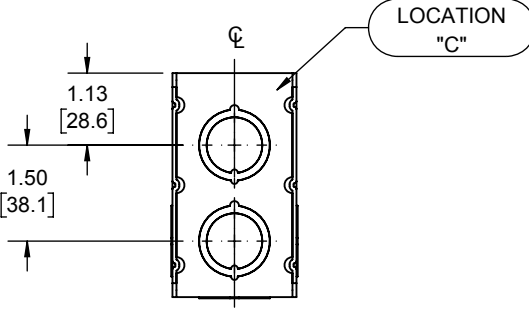
REVISIONS			
REV.	DATE	DESCRIPTION	BY:
-	10-07-19	INITIAL RELEASE	RMV



LOCATION "D"

LOCATION "E"

LOCATION "B"



LOCATION "C"

SIDES	STEEL	GALVANIZED
SPACER	STEEL	GALVANIZED
DESCRIPTION	MATERIAL	FINISH

LIST OF PARTS

THE DESIGN AND DIMENSIONS OF THE PRODUCT SHOWN ON THIS DRAWING ARE SUBJECT TO CHANGE WITHOUT NOTICE

TITLE:
1 GANG MASONRY BOX, 3-1/2" DP. W/ 1/2"-3/4" CONCENTRIC KO'S

- NOTES:
1. ALL DIMENSIONS ARE IN INCHES AND [MILLIMETERS]
 2. BOX VOLUME: 22.5 IN³ [368.7 CM³]
 3. ACCEPTS # 701FG GANGABLE PROTECTOR PLATE, SOLD SEPARATELY
 4. UL LISTED

KNOCKOUTS		
TRADE SIZE	LOCATION	QTY.
1/2"-3/4" CONCENTRIC KO	A, B, C, D, E	2
1/4" KO	E	2

TOLERANCE UNLESS OTHERWISE SPECIFIED



.XX DECIMAL ± .015
.XXX DECIMAL ± .005
ANGLE ± 2°

DRAWN BY:	RMV	SCALE:	SIZE:
APP. BY:	N.S.		
DATE:	10-07-19	1:3	A