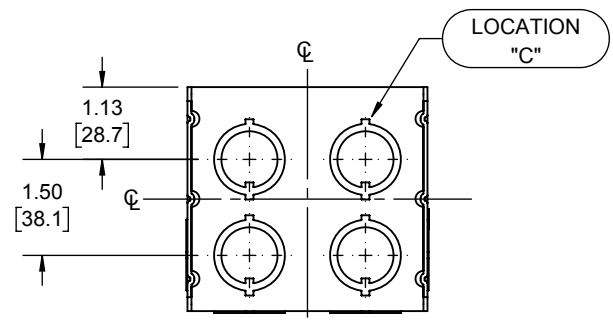
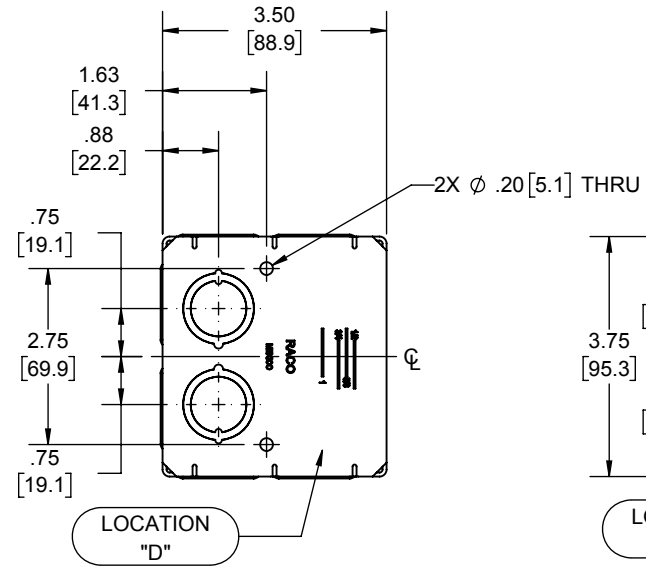
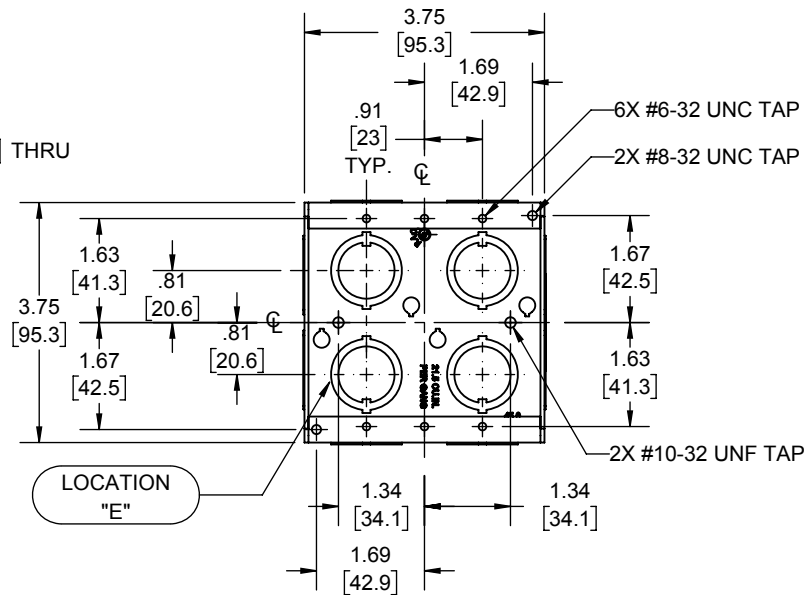
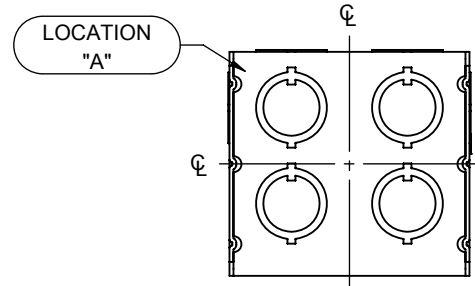
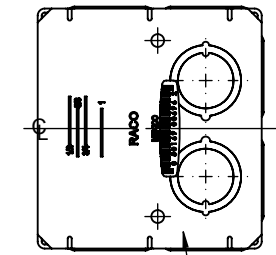


REVISIONS			
REV.	DATE	DESCRIPTION	BY:
-	10-07-19	INITIAL RELEASE	RMV



DESCRIPTION	MATERIAL	FINISH
SIDES	STEEL	GALVANIZED
SPACER	STEEL	GALVANIZED

LIST OF PARTS

THE DESIGN AND DIMENSIONS OF THE PRODUCT SHOWN ON THIS DRAWING ARE SUBJECT TO CHANGE WITHOUT NOTICE

TITLE:
2 GANG MASONRY BOX, 3-1/2" DP. W/ 1/2"-3/4" CONCENTRIC KO'S & BARCODE

KNOCKOUTS		
TRADE SIZE	LOCATION	QTY.
1/2"-3/4" CONCENTRIC KO	A, C, E	4
1/2"-3/4" CONCENTRIC KO	B, D	2
1/4" KO	E	4

TOLERANCE UNLESS OTHERWISE SPECIFIED
 .XX DECIMAL ± .015
 .XXX DECIMAL ± .005
 ANGLE ± 2°



DRAWN BY:	RMV	SCALE:	SIZE:
APP. BY:	N.S.		
DATE:	10-07-19	1:3	A

- NOTES:
1. ALL DIMENSIONS ARE IN INCHES AND [MILLIMETERS]
 2. BOX VOLUME: 45.0 IN³ [737.4 CM³]
 3. ACCEPTS # 971 PARTITION, SOLD SEPARATELY
 4. ACCEPTS # 701FG GANGABLE PROTECTOR PLATE, SOLD SEPARATELY
 5. UL LISTED