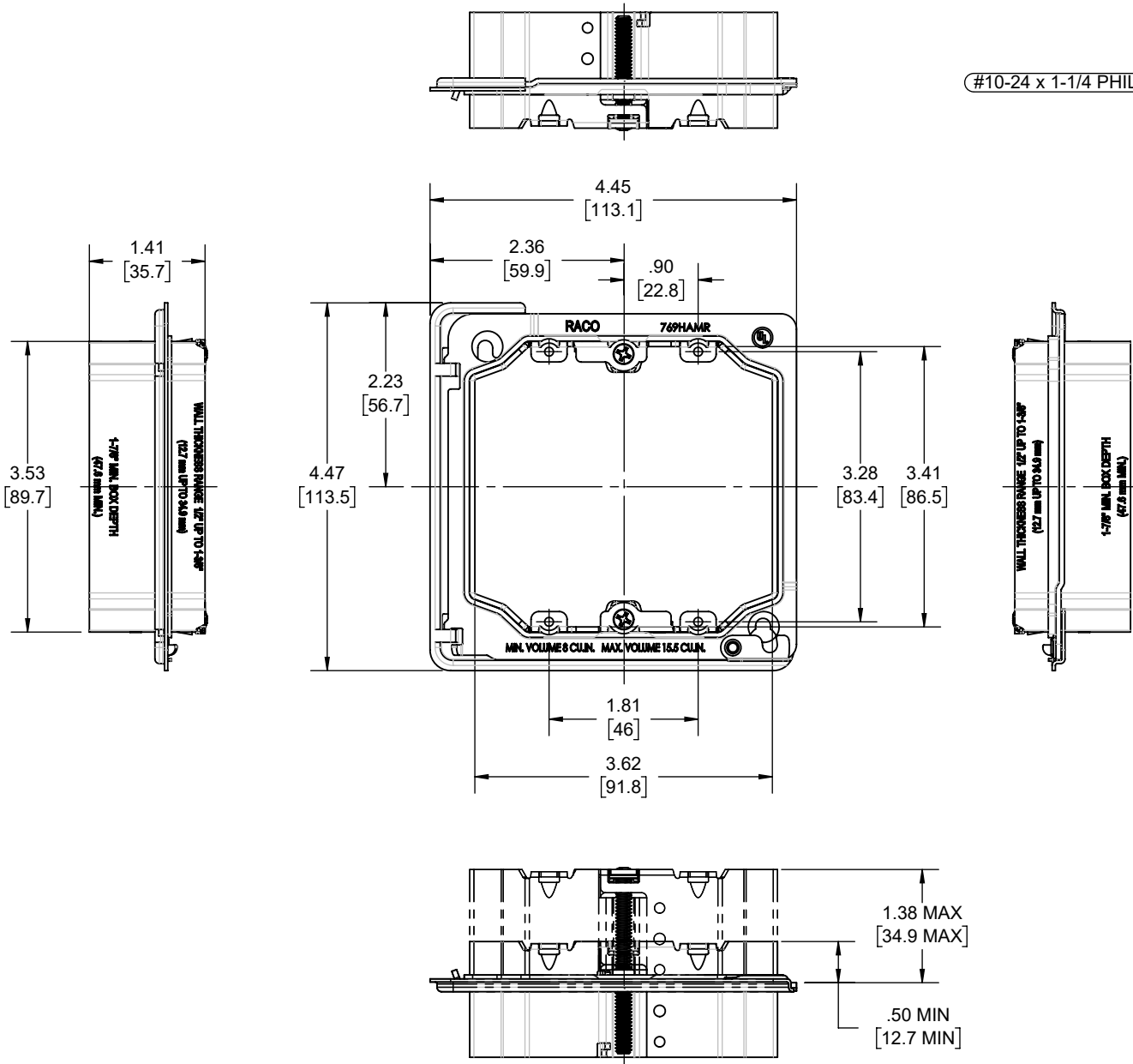
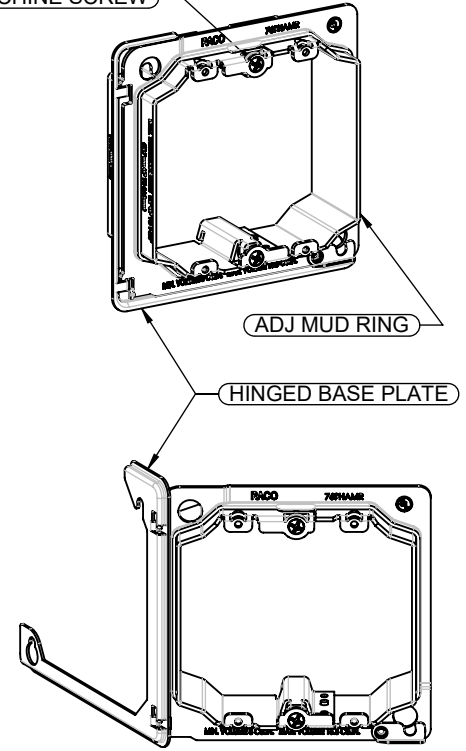


REVISIONS			
REV.	DATE	DESCRIPTION	BY
-	07-26-22	INITIAL RELEASE	JRM



#10-24 x 1-1/4 PHILLIPS MACHINE SCREW



DESCRIPTION	MATERIAL	FINISH
FASTENERS	STEEL	GALVANIZED
ADJ MUD RING	STEEL	GALVANIZED
HINGED BASE PLATE	STEEL	GALVANIZED

LIST OF PARTS

THE DESIGN AND DIMENSIONS OF THE PRODUCT SHOWN ON THIS DRAWING ARE SUBJECT TO CHANGE WITHOUT NOTICE

TITLE:
HINGED ADJUSTABLE DOUBLE GANG MUD RING

TOLERANCE UNLESS OTHERWISE SPECIFIED		RACO	
.XX DECIMAL ± .015	DRAWN BY: JRM	SCALE: 1:2	SIZE: A
.XXX DECIMAL ± .005			
ANGLE ± 2°			
	APP. BY: N.S.		
	DATE: 07-26-22		

- NOTES:
1. ALL DIMENSIONS ARE IN INCHES AND [MILLIMETERS]
 2. ACCEPTS 4" SQUARE BOXES, SOLD SEPARATELY
 3. UL LISTED
 4. FOR INSTRUCTION SHEET SCROLL DOWN TO NEXT SHEET

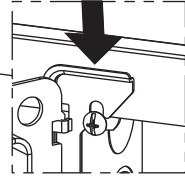
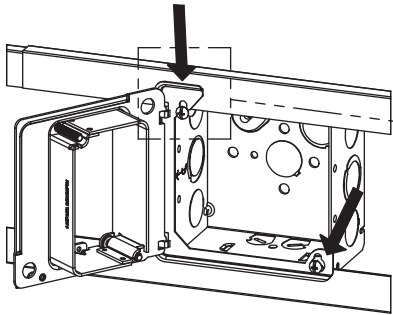


Hubbell Commercial Construction
Hubbell Incorporated (Delaware)

Instructions for using RACO® Hinged Adjustable Mud Ring

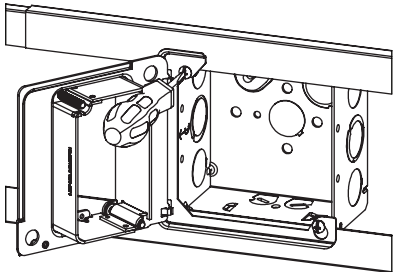
Instrucciones para instalar el Anillo de Bisagra Empotrable Ajustable

768HAMR, 769HAMR, 818HAMR & 843HAMR



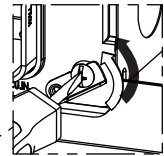
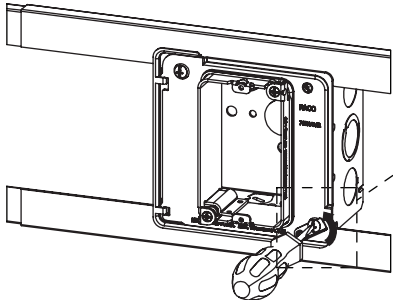
STEP 1.
Place hinged adjustable mud ring over screws and slide it down.
NOTE: The device may be installed before or after the mud ring installation.

PASO 1.
Coloque el anillo de bisagra empotrable sobre los tornillos y deslicelo hacia abajo.
NOTA: El dispositivo puede ser instalado antes o después de la instalación del anillo empotrable



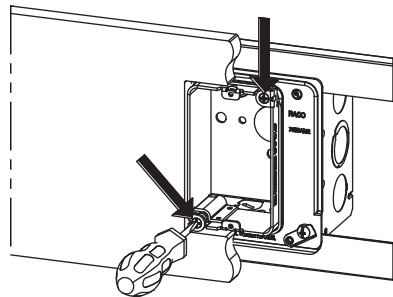
STEP 2.
Tighten top screw.

PASO 2.
Apriete el tornillo superior.



STEP 3.
Close hinged adjustable mud ring and position bottom screw into key hole.

PASO 3.
Cierre el anillo de bisagra empotrable ajustable y posicione el tornillo inferior dentro del agujero.



STEP 4.
After drywall is mounted, adjust height of mud ring with adjustment screws until flush with drywall.

PASO 4.
Después que la pared ha sido instalada, ajustar los tornillos del anillo empotrable hasta que quede al ras con la pared

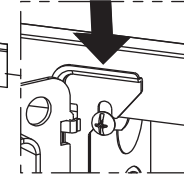
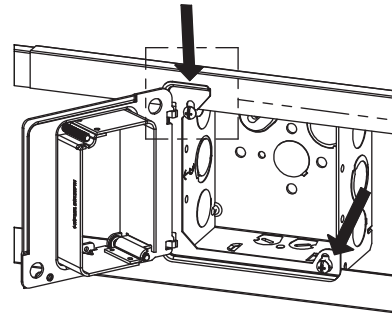


Hubbell Commercial Construction
Hubbell Incorporated (Delaware)

Instructions for using RACO® Hinged Adjustable Mud Ring

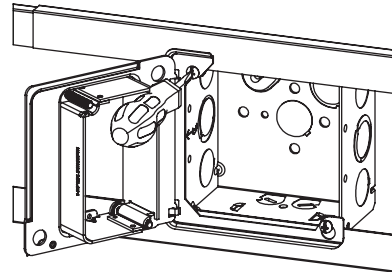
Instrucciones para instalar el Anillo de Bisagra Empotrable Ajustable

768HAMR, 769HAMR, 818HAMR & 843HAMR



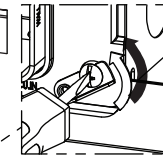
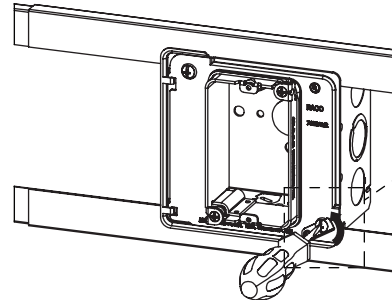
STEP 1.
Place hinged adjustable mud ring over screws and slide it down.
NOTE: The device may be installed before or after the mud ring installation.

PASO 1.
Coloque el anillo de bisagra empotrable sobre los tornillos y deslicelo hacia abajo.
NOTA: El dispositivo puede ser instalado antes o después de la instalación del anillo empotrable



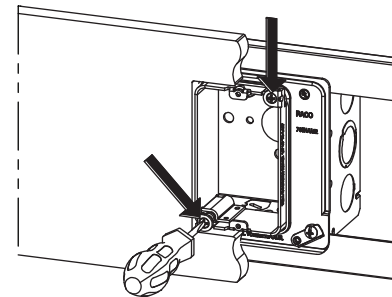
STEP 2.
Tighten top screw.

PASO 2.
Apriete el tornillo superior.



STEP 3.
Close hinged adjustable mud ring and position bottom screw into key hole.

PASO 3.
Cierre el anillo de bisagra empotrable ajustable y posicione el tornillo inferior dentro del agujero.



STEP 4.
After drywall is mounted, adjust height of mud ring with adjustment screws until flush with drywall.

PASO 4.
Después que la pared ha sido instalada, ajustar los tornillos del anillo empotrable hasta que quede al ras con la pared