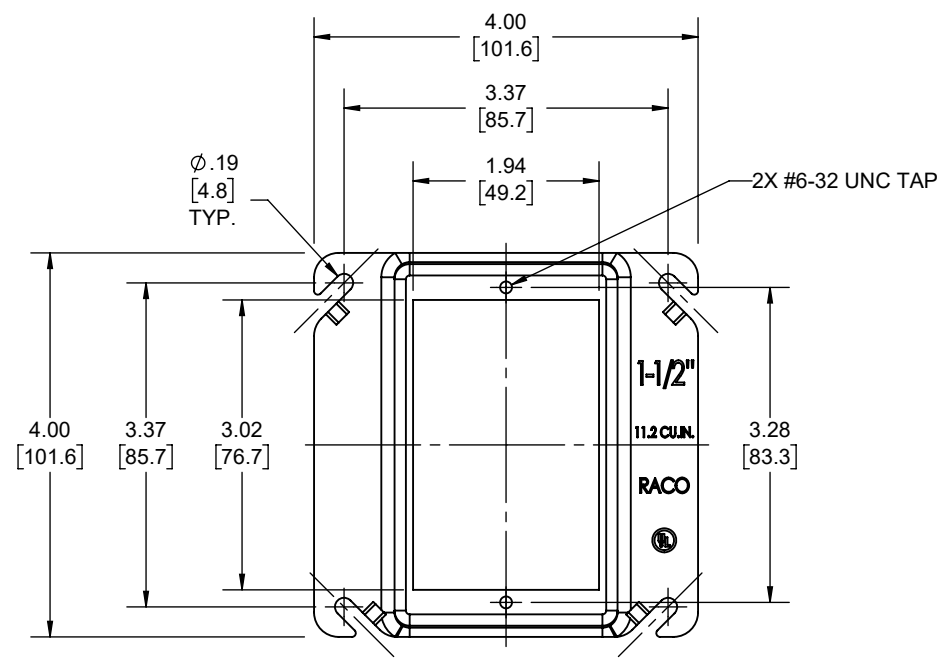
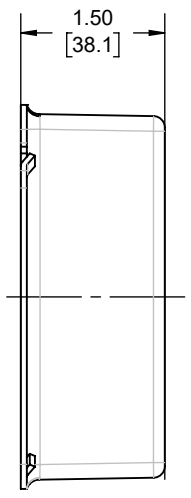
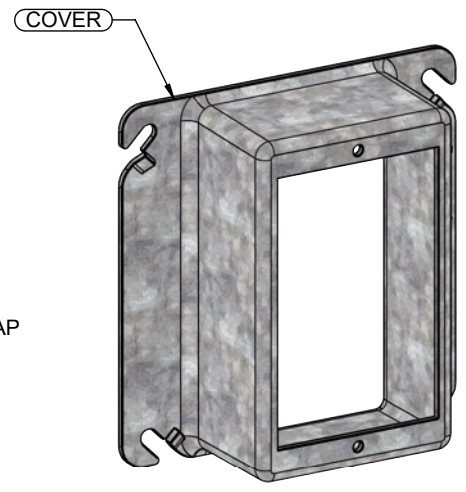
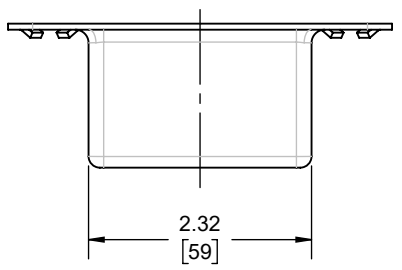


REVISIONS			
REV.	DATE	DESCRIPTION	BY
-	07-28-22	INITIAL RELEASE	RMV



COVER	STEEL	GALVANIZED
DESCRIPTION	MATERIAL	FINISH

LIST OF PARTS

THE DESIGN AND DIMENSIONS OF THE PRODUCT SHOWN ON THIS DRAWING ARE SUBJECT TO CHANGE WITHOUT NOTICE

TITLE:
4" SQ BOX COVER RAISED 1-1/2"

TOLERANCE UNLESS OTHERWISE SPECIFIED .XX DECIMAL ± .015 .XXX DECIMAL ± .005 ANGLE ± 2°			SCALE:	SIZE: A	
			DRAWN BY:		RMV
			APP. BY:		N.S.
DATE:	07-28-22	1:2			

- NOTES:
- ALL DIMENSIONS ARE IN INCHES AND [MILLIMETERS]
 - BOX VOLUME: 11.2 IN³ [183.5 CM³]
 - UL LISTED