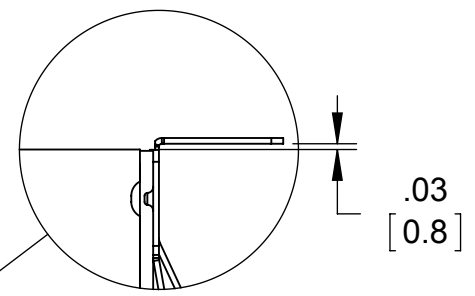
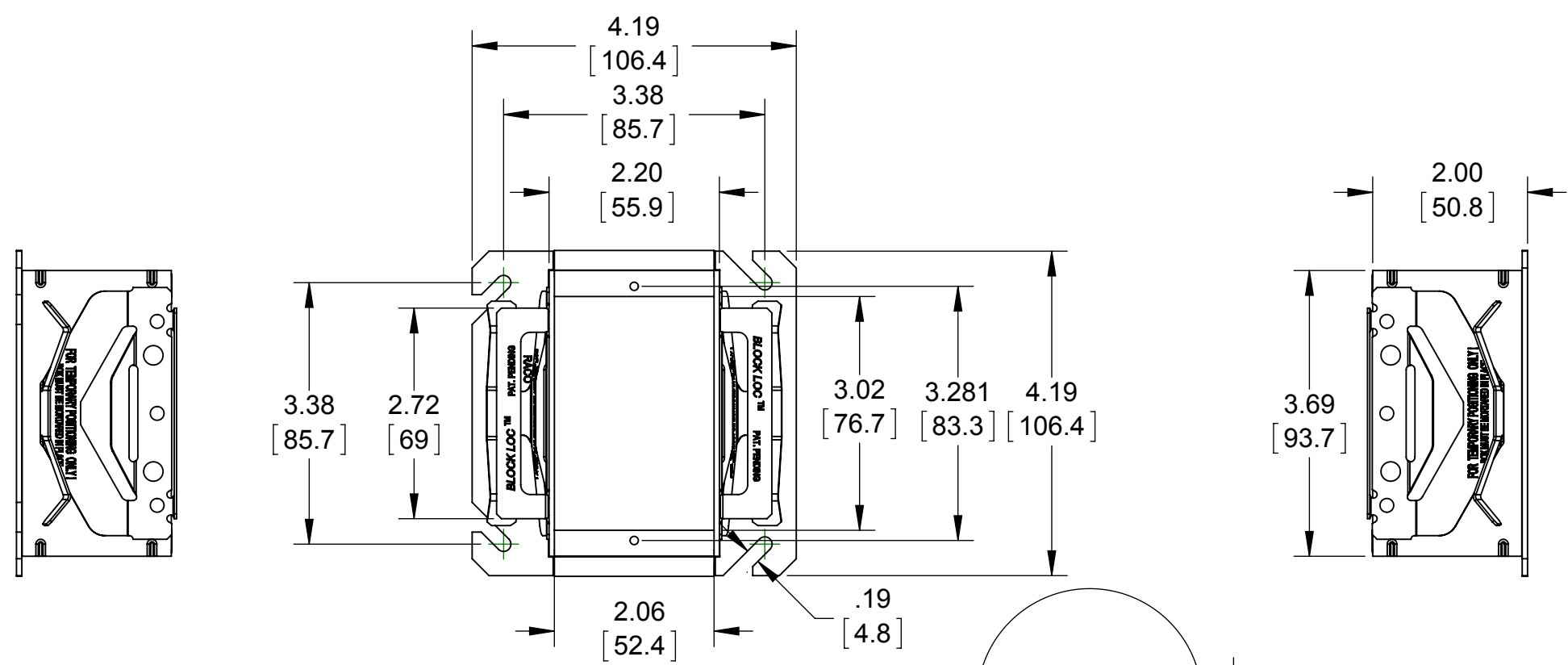
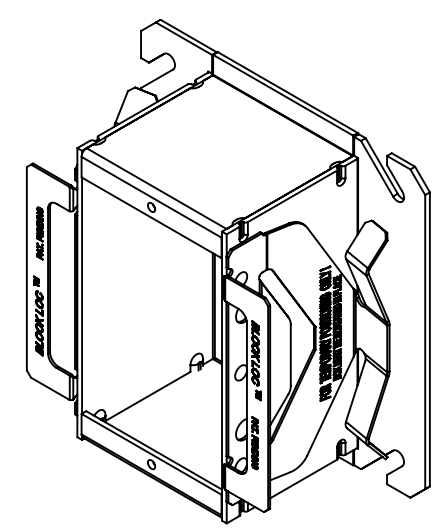
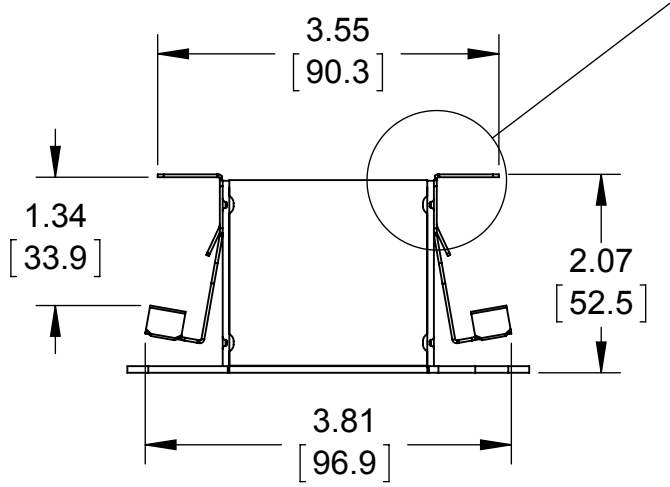


LIST OF PARTS

DESCRIPTION	MATERIAL	FINISH
ENDS	STEEL	GALVANIZED
SIDES	STEEL	GALVANIZED
BLOCK LOC™ BRACKETS	STEEL	GALVANIZED



BRACKET MAY BE BENT TO ACOMODATE THINNER BLOCK



- NOTES:**
1. ALL DIMENSIONS ARE IN INCHES AND [MILLIMETERS]
 2. COVER VOLUME: 14.5 IN³ [238 CM³]
 3. CSA & UL LISTED

	INITIAL RELEASE	K.K.	
SYM.	REVISION DESCRIPTION	APP	DATE

THE DESIGN AND DIMENSIONS OF THE PRODUCT SHOWN ON THIS DRAWING ARE SUBJECT TO CHANGE WITHOUT NOTICE

TITLE: **BLOCK LOC™
4" SQ. SINGLE DEVICE
2" RAISED COVER**

TOLERANCE UNLESS OTHERWISE SPECIFIED .XX DECIMAL ±.015 .XXX DECIMAL ±.005 ANGLE ±2°	RACO South Bend, Indiana		SCALE: 1:2
	DRAWN BY:	K.K.	
	APP. BY:	N.S.	
DATE:	1/26/2015		