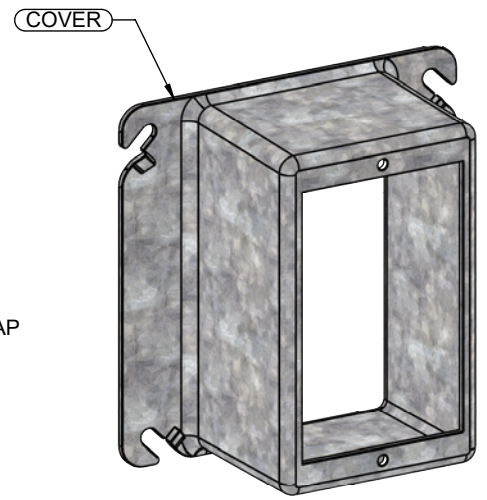
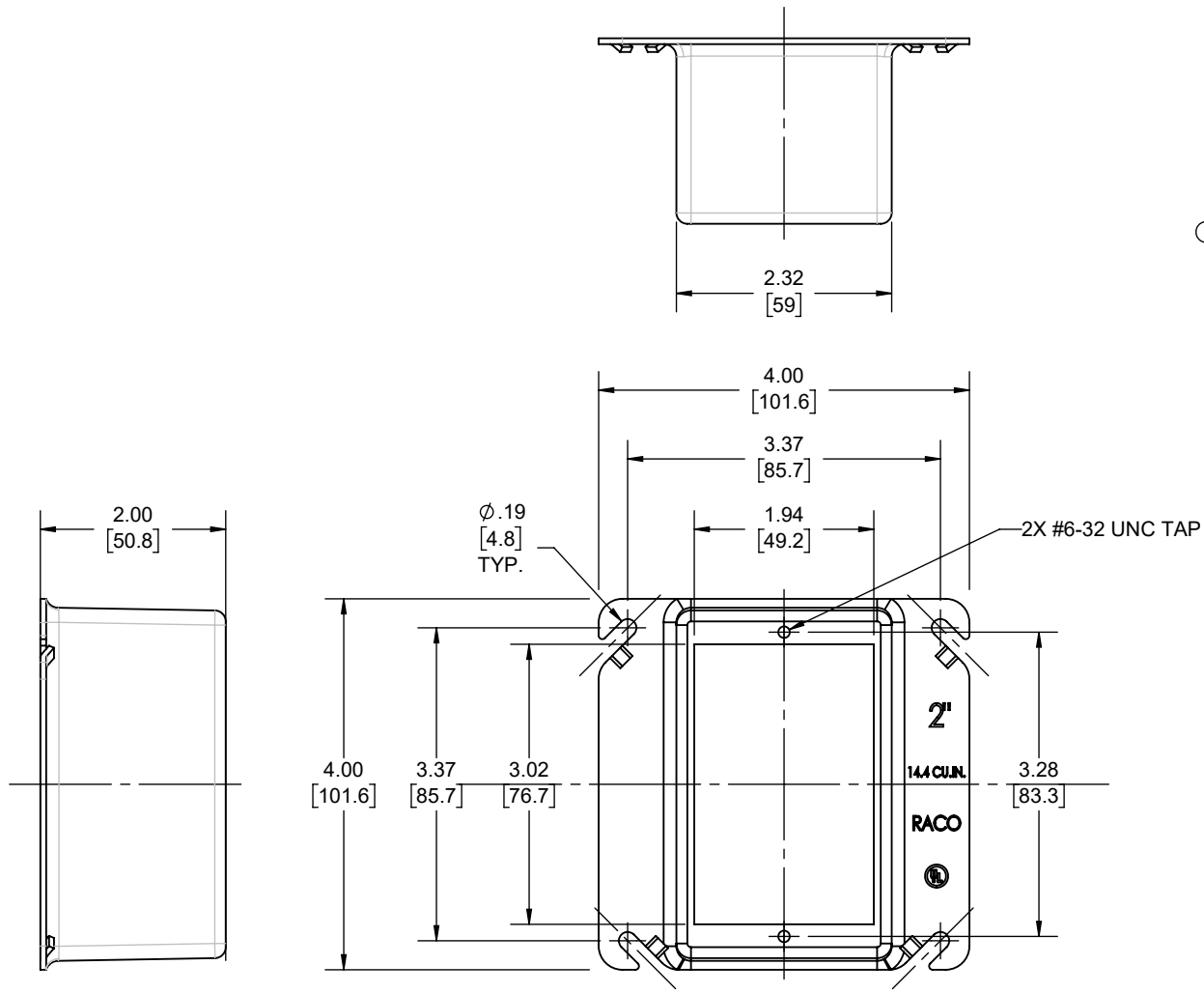


REVISIONS			
REV.	DATE	DESCRIPTION	BY
-	07-28-22	INITIAL RELEASE	RMV



COVER	STEEL	GALVANIZED
DESCRIPTION	MATERIAL	FINISH

LIST OF PARTS

THE DESIGN AND DIMENSIONS OF THE PRODUCT SHOWN ON THIS DRAWING ARE SUBJECT TO CHANGE WITHOUT NOTICE

TITLE:
4" SQ BOX COVER RAISED 2"

TOLERANCE UNLESS OTHERWISE SPECIFIED



.XX DECIMAL $\pm .015$
.XXX DECIMAL $\pm .005$
ANGLE $\pm 2^\circ$

DRAWN BY:	RMV	SCALE:	1:2
APP. BY:	N.S.		
DATE:	07-28-22		

- NOTES:
1. ALL DIMENSIONS ARE IN INCHES AND [MILLIMETERS]
 2. BOX VOLUME: 14.4 IN³ [236.0 CM³]
 3. UL LISTED