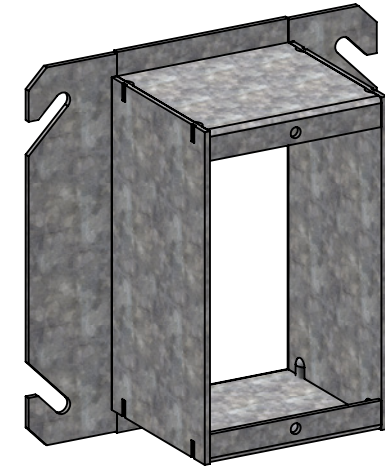
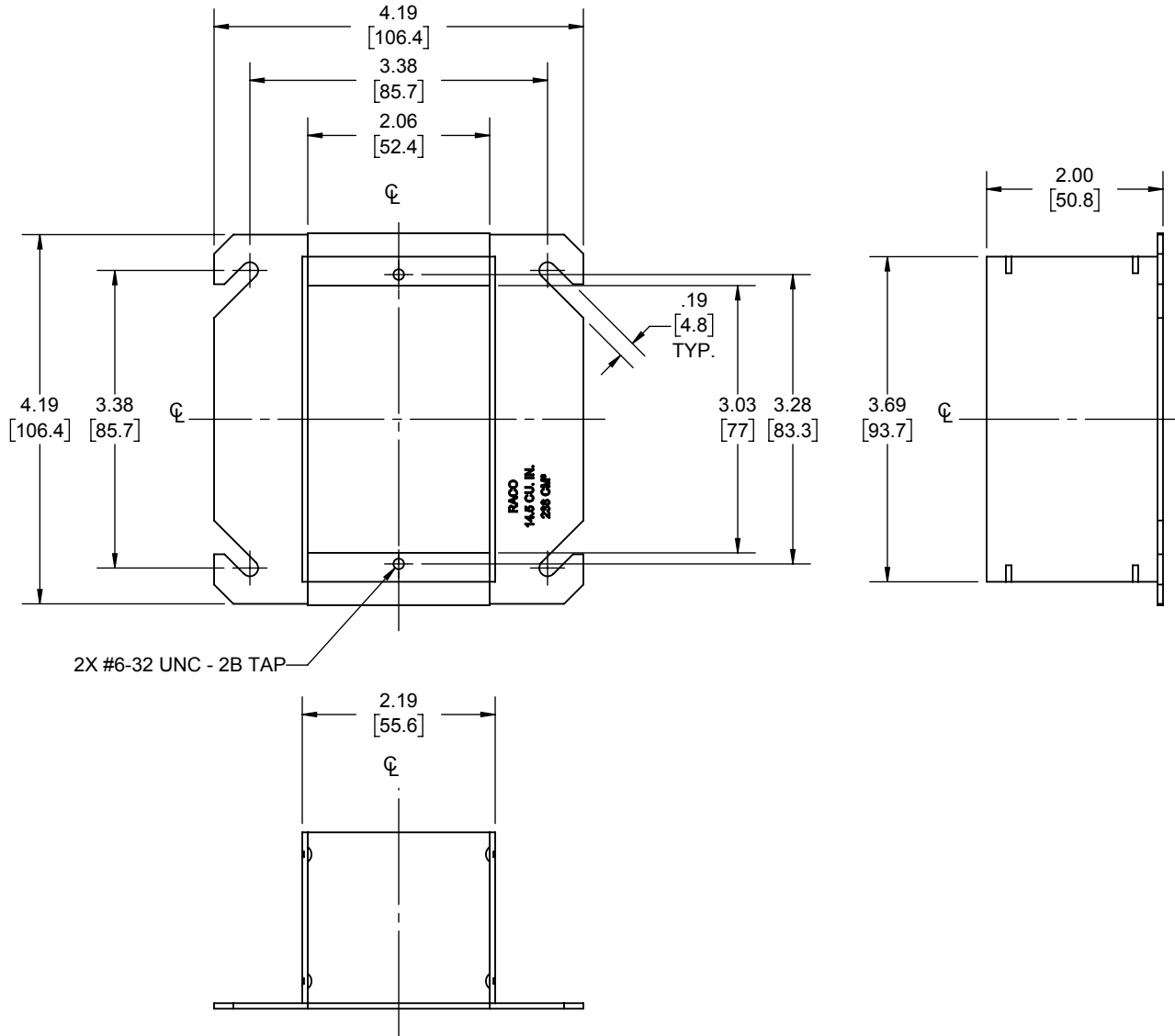


REVISIONS

REV.	DATE	DESCRIPTION	BY:
-	09-04-19	INITIAL RELEASE	RMV



SIDES	STEEL	GALVANIZED
ENDS	STEEL	GALVANIZED
DESCRIPTION	MATERIAL	FINISH

LIST OF PARTS

THE DESIGN AND DIMENSIONS OF THE PRODUCT SHOWN ON THIS DRAWING ARE SUBJECT TO CHANGE WITHOUT NOTICE

TITLE:
**TILE COVER FOR 4" SQ. BOX
SINGLE DEVICE, RAISED 2"**

TOLERANCE UNLESS OTHERWISE SPECIFIED



.XX DECIMAL ± .015
.XXX DECIMAL ± .005
ANGLE ± 2°

DRAWN BY:	RMV	SCALE:	SIZE:
APP. BY:	N.S.	1:2	A
DATE:	09-04-19		

- NOTES:
- ALL DIMENSIONS ARE IN INCHES AND [MILLIMETERS]
 - BOX VOLUME: 11.3 IN³ [185 CM³]
 - cULus LISTED