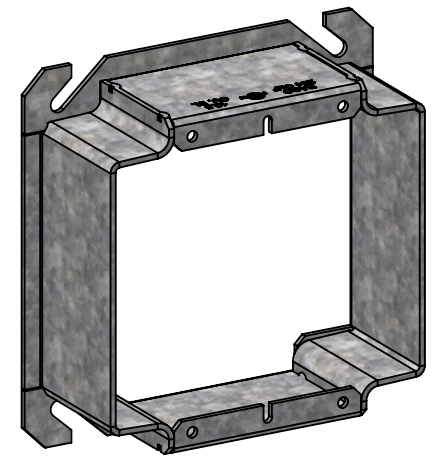
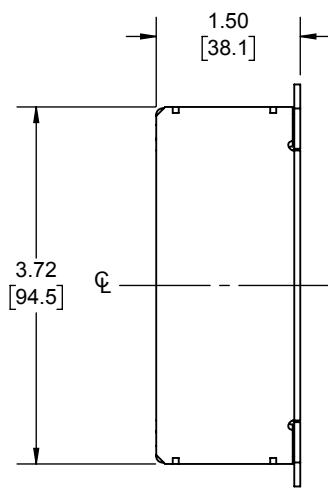
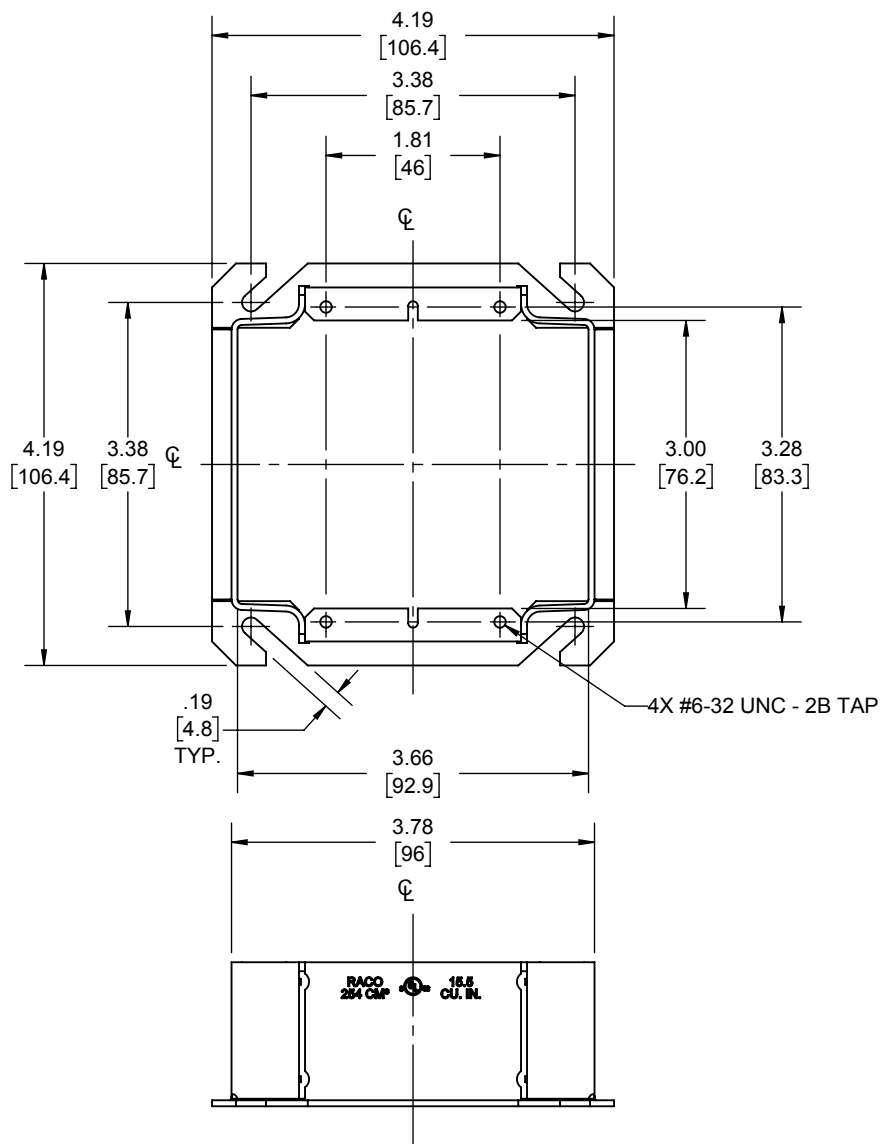


REVISIONS			
REV.	DATE	DESCRIPTION	BY:
-	09-04-19	INITIAL RELEASE	RMV



SIDES	STEEL	GALVANIZED
ENDS	STEEL	GALVANIZED
DESCRIPTION	MATERIAL	FINISH

**LIST OF PARTS**

THE DESIGN AND DIMENSIONS OF THE PRODUCT SHOWN ON THIS DRAWING ARE SUBJECT TO CHANGE WITHOUT NOTICE

TITLE:  
**TILE COVER FOR 4" SQ. BOX DOUBLE DEVICE, RAISED 1-1/2"**

TOLERANCE UNLESS OTHERWISE SPECIFIED  
 .XX DECIMAL ± .015  
 .XXX DECIMAL ± .005  
 ANGLE ± 2°



DRAWN BY:	RMV	SCALE:	SIZE:
APP. BY:	N.S.	1:2	A
DATE:	09-04-19		

- NOTES:
1. ALL DIMENSIONS ARE IN INCHES AND [MILLIMETERS]
  2. BOX VOLUME: 15.5 IN<sup>3</sup> [254 CM<sup>3</sup>]
  3. cULus LISTED