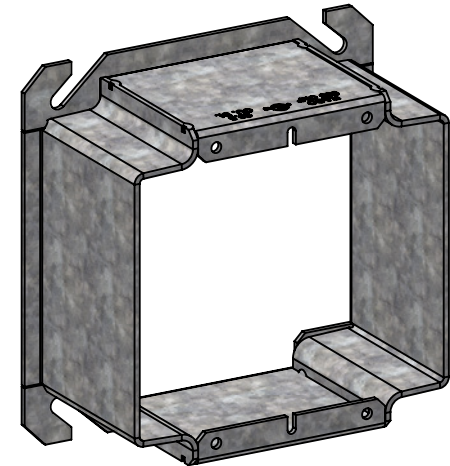
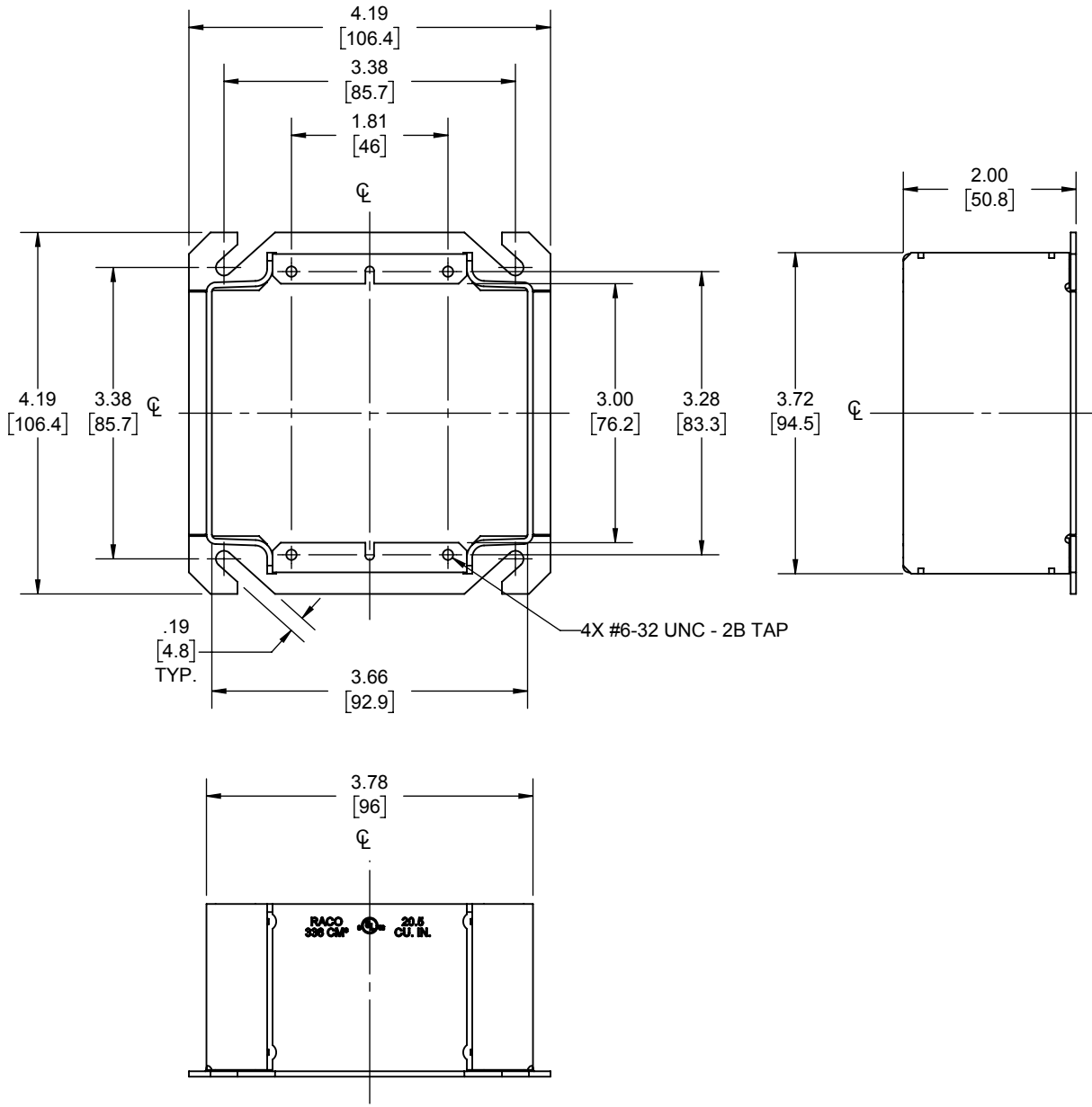


REVISIONS			
REV.	DATE	DESCRIPTION	BY:
-	09-04-19	INITIAL RELEASE	RMV



SIDES	STEEL	GALVANIZED
ENDS	STEEL	GALVANIZED
DESCRIPTION	MATERIAL	FINISH

**LIST OF PARTS**

THE DESIGN AND DIMENSIONS OF THE PRODUCT SHOWN ON THIS DRAWING ARE SUBJECT TO CHANGE WITHOUT NOTICE

TITLE:  
**TILE COVER FOR 4" SQ. BOX  
DOUBLE DEVICE, RAISED 2"**

TOLERANCE UNLESS OTHERWISE SPECIFIED



.XX DECIMAL ± .015  
.XXX DECIMAL ± .005  
ANGLE ± 2°

DRAWN BY:	RMV	SCALE:	SIZE:
APP. BY:	N.S.	1:2	<b>A</b>
DATE:	09-04-19		

NOTES:

1. ALL DIMENSIONS ARE IN INCHES AND [MILLIMETERS]
2. BOX VOLUME: 20.5 IN<sup>3</sup> [336 CM<sup>3</sup>]
3. cULus LISTED