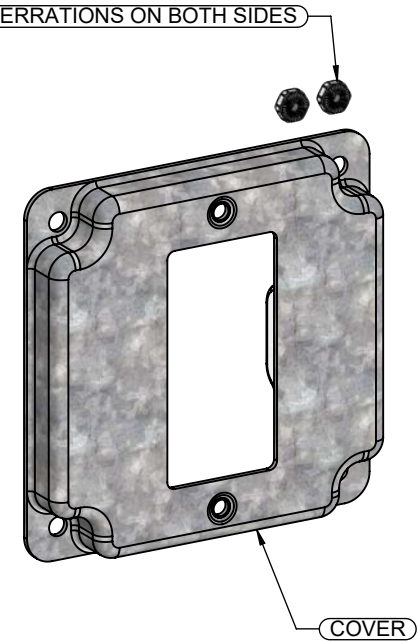
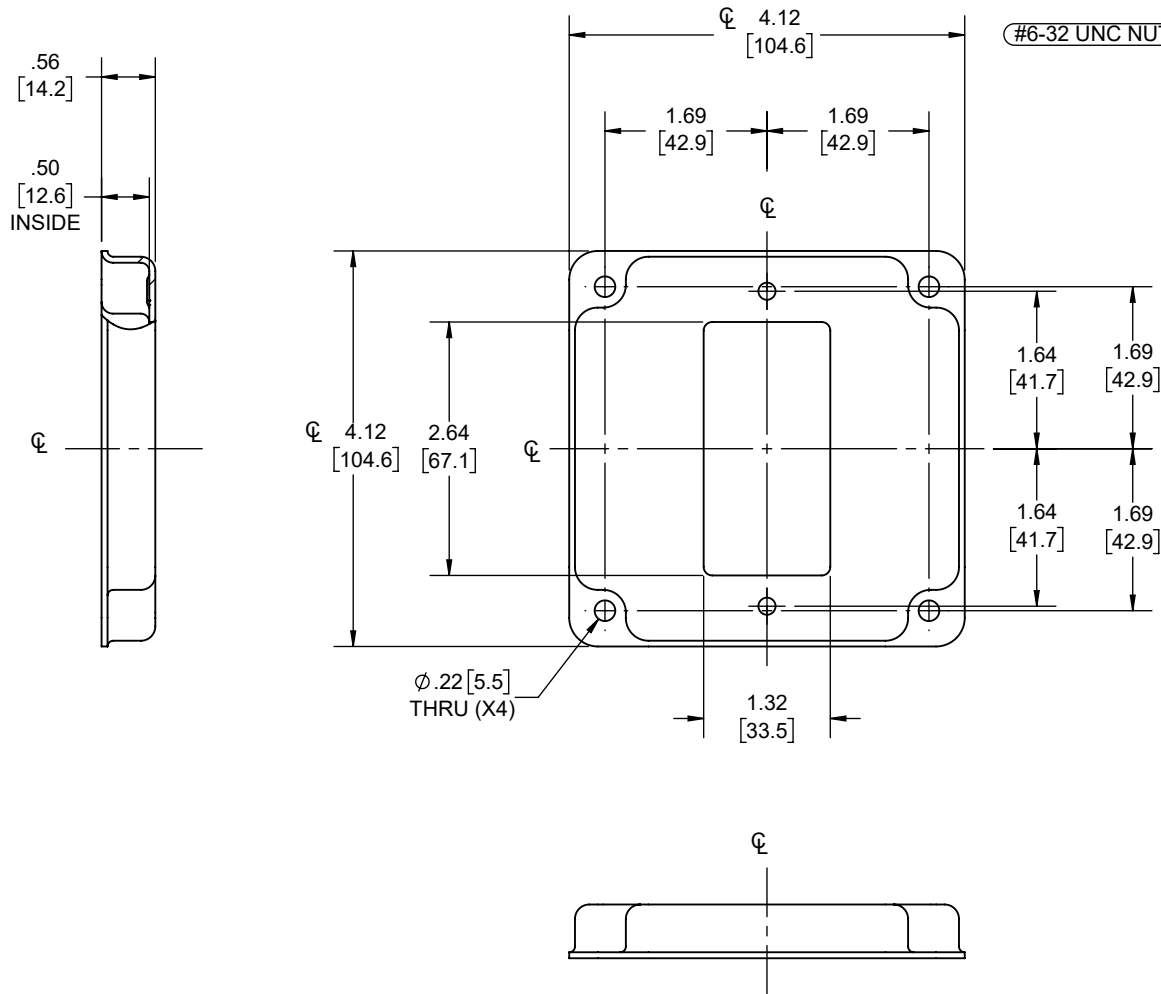


REVISIONS			
REV.	DATE	DESCRIPTION	BY
-	03-06-17	INITIAL RELEASE	RMV
1	12-14-20	UPDATED TO CURRENT STANDARDS	RMV
2	06-14-22	REMOVED BREAK-OFF TABS, ADDED HARDWARE PACK	RMV




DESCRIPTION	MATERIAL	FINISH
FASTENERS	STEEL	GALVANIZED
COVER	STEEL	GALVANIZED

**LIST OF PARTS**

THE DESIGN AND DIMENSIONS OF THE PRODUCT SHOWN ON THIS DRAWING ARE SUBJECT TO CHANGE WITHOUT NOTICE

TITLE:  
**4" SQ CC COVER FOR (1) GFCI**

TOLERANCE UNLESS OTHERWISE SPECIFIED  .XX DECIMAL ± .015 .XXX DECIMAL ± .005 ANGLE ± 2°			DRAWN BY:	RMV	SCALE:	SIZE:
			APP. BY:	RMV		
	DATE:	03-06-17	1:2	A		

- NOTES:
1. ALL DIMENSIONS ARE IN INCHES AND [MILLIMETERS]
  2. BOX VOLUME: 6.5 IN<sup>3</sup> [107] CM<sup>3</sup>
  3. cULus LISTED