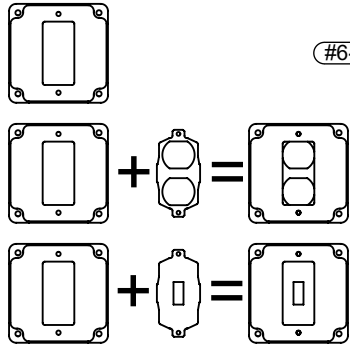
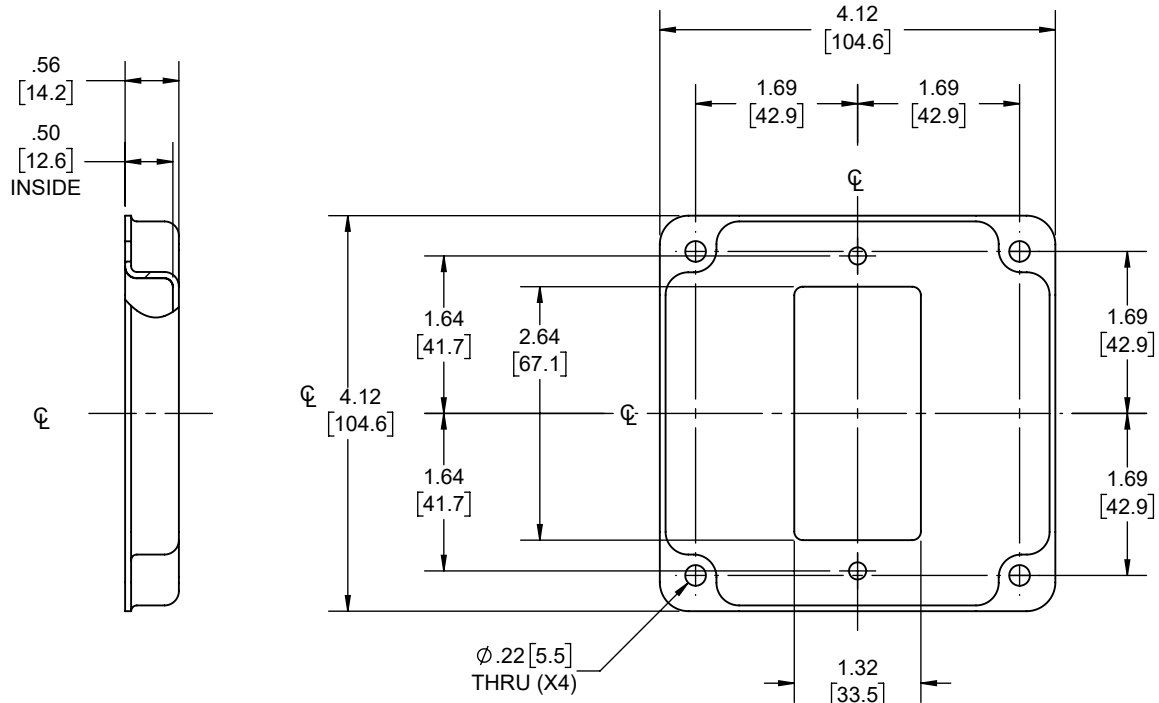
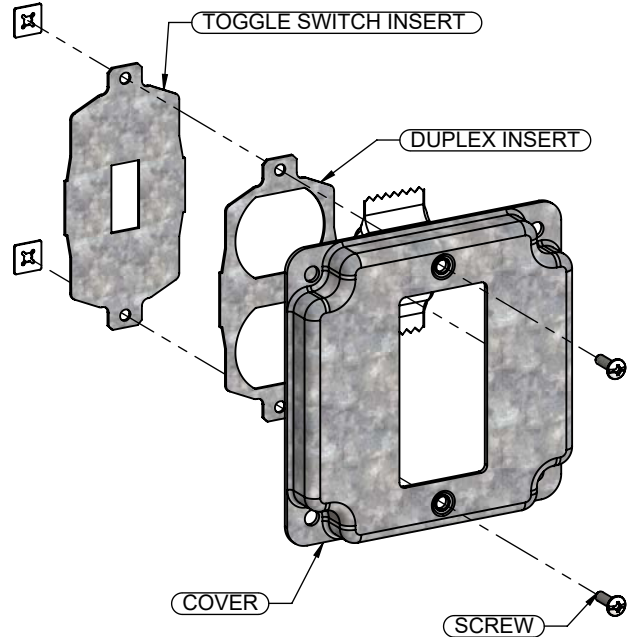


REVISIONS

REV.	DATE	DESCRIPTION	BY
-	07-31-17	INITIAL RELEASE	RMV
1	12-14-20	UPDATED TO CURRENT STANDARDS	RMV
2	06-14-22	REMOVED BREAK-OFF TABS, ADDED HARDWARE PACK	RMV



POSSIBLE ASSEMBLY COMBINATIONS



- NOTES:
 1. ALL DIMENSIONS ARE IN INCHES AND [MILLIMETERS]
 2. BOX VOLUME: 6.5 IN³ [107] CM³
 3. cULus LISTED

DESCRIPTION	MATERIAL	FINISH
FASTENERS	STEEL	GALVANIZED
INSERTS	STEEL	GALVANIZED
SPACER	STEEL	GALVANIZED

LIST OF PARTS

THE DESIGN AND DIMENSIONS OF THE PRODUCT SHOWN ON THIS DRAWING ARE SUBJECT TO CHANGE WITHOUT NOTICE

TITLE:
4" SQ UNIVERSAL CC COVER, (1) DEVICE W/ INSERTS

TOLERANCE UNLESS OTHERWISE SPECIFIED .XX DECIMAL ± .015 .XXX DECIMAL ± .005 ANGLE ± 2°			DRAWN BY:	RMV	SCALE:	SIZE:
			APP. BY:	RMV		
			DATE:	07-31-17		