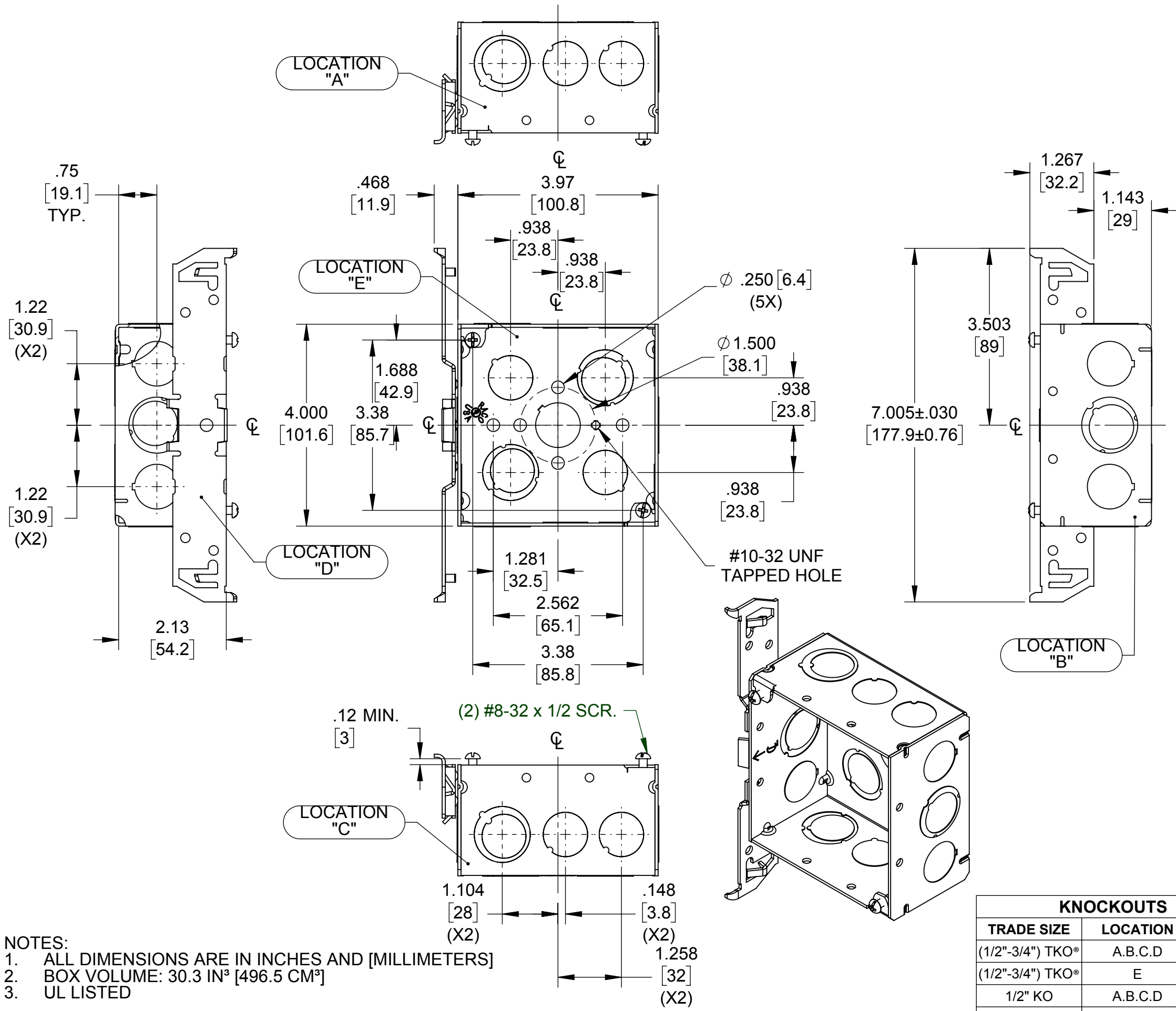


**LIST OF PARTS**

DESCRIPTION	MATERIAL	FINISH
SPACER	STEEL	GALVANIZED
SIDES	STEEL	GALVANIZED
FASTENERS	STEEL	GALVANIZED
BRACKETS	STEEL	GALVANIZED



- NOTES:**
- ALL DIMENSIONS ARE IN INCHES AND [MILLIMETERS]
  - BOX VOLUME: 30.3 IN<sup>3</sup> [496.5 CM<sup>3</sup>]
  - UL LISTED

**KNOCKOUTS**

TRADE SIZE	LOCATION	QTY.
(1/2"-3/4") TKO*	A.B.C.D	1
(1/2"-3/4") TKO*	E	2
1/2" KO	A.B.C.D	2
1/2" KO	E	3

INITIAL RELEASE	RMV	01/26/17
SYM.	REVISION DESCRIPTION	APP DATE

THE DESIGN AND DIMENSIONS OF THE PRODUCT SHOWN ON THIS DRAWING ARE SUBJECT TO CHANGE WITHOUT NOTICE

TITLE: **4" SQ. 2-1/8" DEEP WELDED BOX W/ TS BRACKET & 1/2"-3/4" TKOS**

**RACO**  
South Bend, Indiana

SCALE: 1:2

DRAWN BY: RMV  
APP. BY: N.S.  
DATE: 01/26/17

TOLERANCE UNLESS OTHERWISE SPECIFIED:  
.XX DECIMAL ±.015  
.XXX DECIMAL ±.005  
ANGLE ±2°