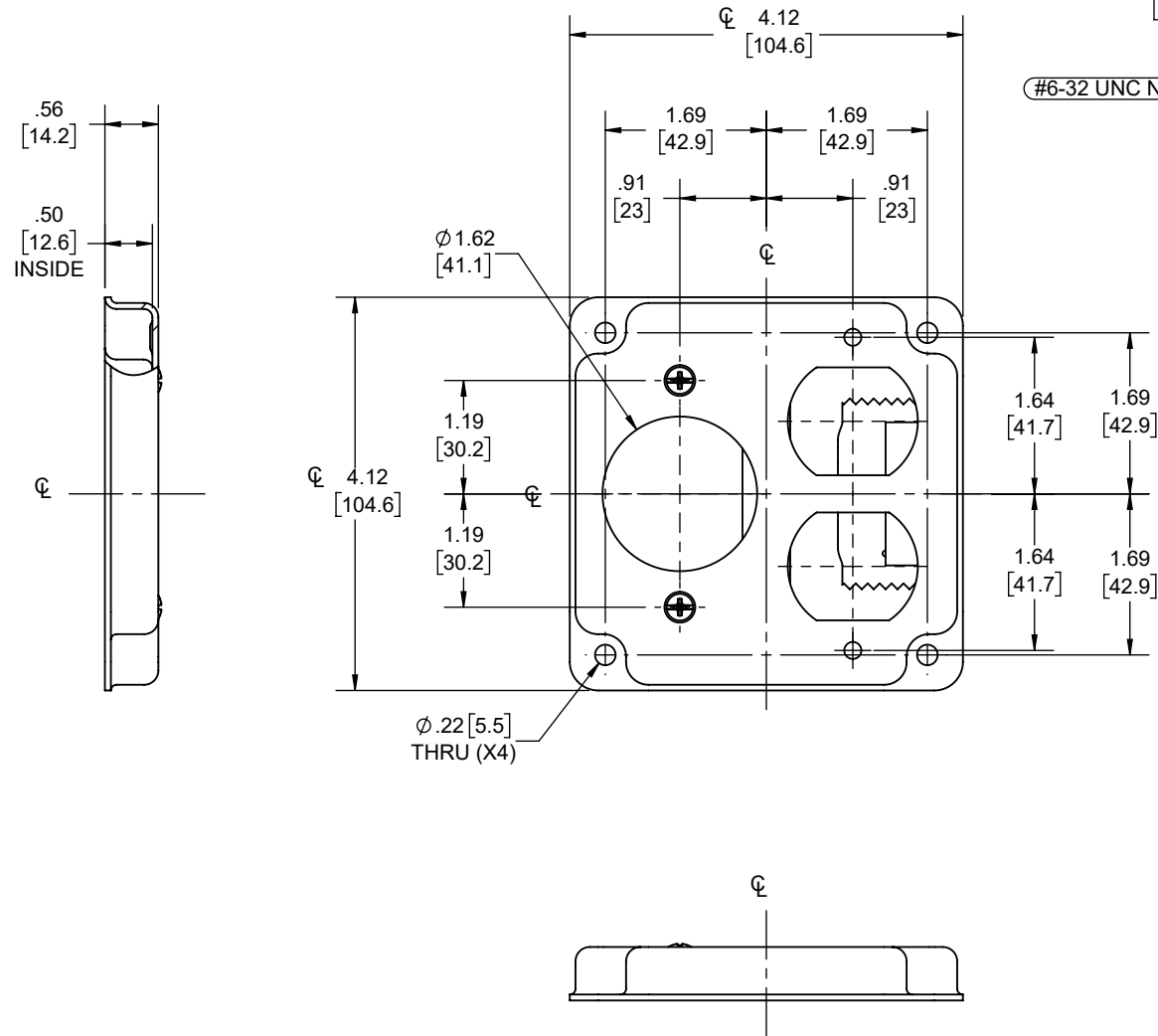
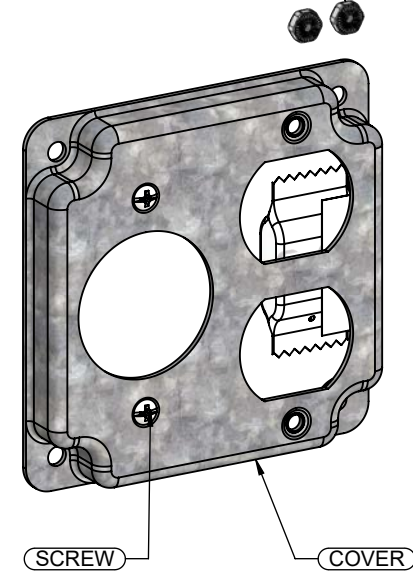


REVISIONS

REV.	DATE	DESCRIPTION	BY
-	04-03-17	INITIAL RELEASE	RMV
1	12-14-20	UPDATED TO CURRENT STANDARDS	RMV
2	06-14-22	REMOVED BREAK-OFF TABS, ADDED HARDWARE PACK	RMV



#6-32 UNC NUT WITH LOCKING SERRATIONS ON BOTH SIDES



DESCRIPTION	MATERIAL	FINISH
FASTENERS	STEEL	GALVANIZED
COVER	STEEL	GALVANIZED

LIST OF PARTS

THE DESIGN AND DIMENSIONS OF THE PRODUCT SHOWN ON THIS DRAWING ARE SUBJECT TO CHANGE WITHOUT NOTICE

TITLE:

4" SQ CC COVER FOR (1) DUPLEX & (1) RECT 1.620"

TOLERANCE UNLESS OTHERWISE SPECIFIED

.XX DECIMAL ± .015
.XXX DECIMAL ± .005
ANGLE ± 2°



DRAWN BY:	RMV	SCALE:	SIZE:
APP. BY:	RMV	1:2	A
DATE:	04-03-17		

NOTES:

1. ALL DIMENSIONS ARE IN INCHES AND [MILLIMETERS]
2. BOX VOLUME: 6.5 IN³ [107] CM³
3. cULus LISTED