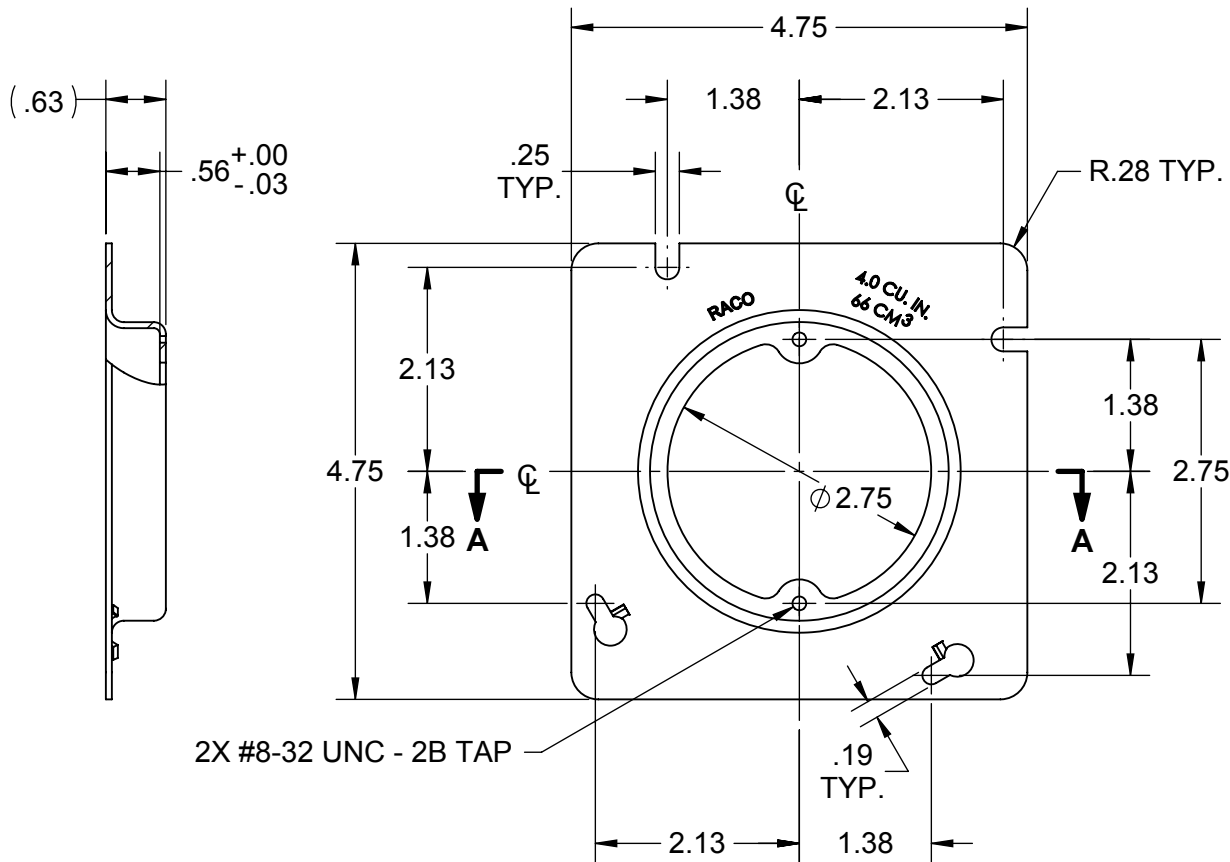


SECTION A-A



2X #8-32 UNC - 2B TAP

NOTES:

1. ALL DIMENSIONS ARE IN INCHES AND [MILLIMETERS]
2. BOX VOLUME: 4.0 IN³ [66 CM³]
3. cULus LISTED

LIST OF PARTS

DESCRIPTION	MATERIAL	FINISH
COVER	STEEL	GALVANIZED

835 CUS

INITIAL RELEASE	RMV	08-23-17
SYM. REVISION DESCRIPTION	APP	DATE

835

DIMENSION SHEET FOR CAT. NO.

THE DESIGN AND DIMENSIONS OF THE PRODUCT SHOWN ON THIS DRAWING ARE SUBJECT TO CHANGE WITHOUT NOTICE

TITLE:
4-11/16" SQ. COVER, RAISED 5/8" W/ EARS

TOLERANCE UNLESS OTHERWISE SPECIFIED

.XX DECIMAL ±.015
.XXX DECIMAL ±.005
ANGLE ±2°

RACO
South Bend, Indiana

DRAWN BY:	RMV	SCALE:
APP. BY:	N.S.	1:2
DATE:	08-23-17	

SIZE:

A

8.5in*11in