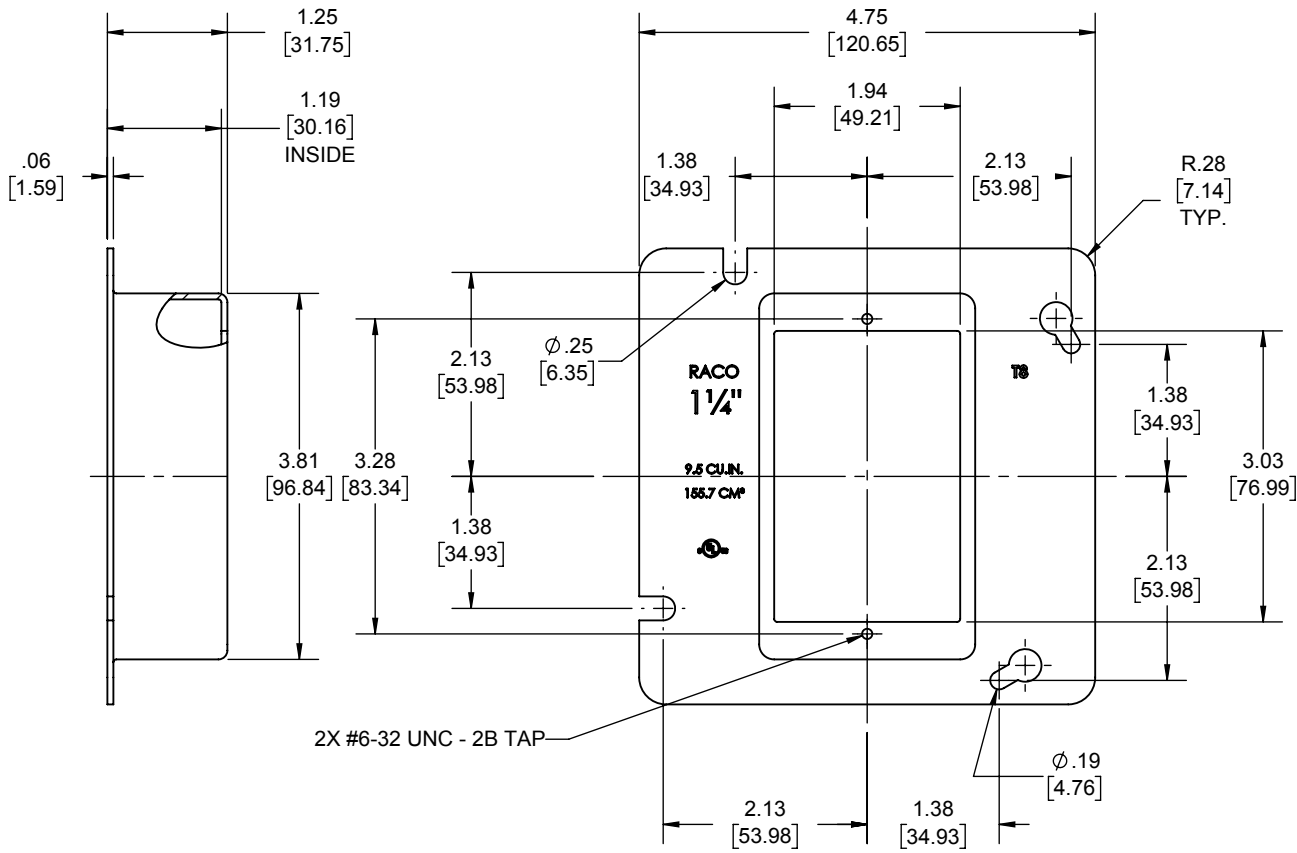
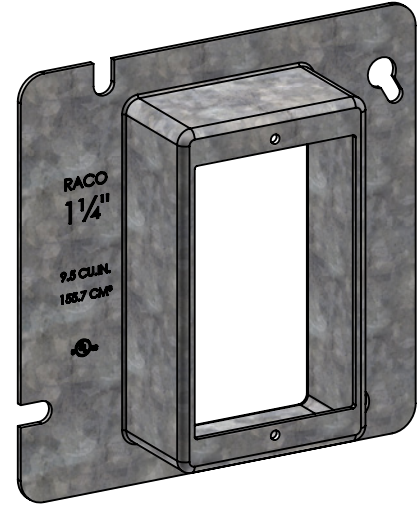
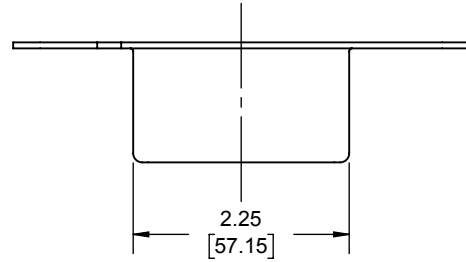


REVISIONS			
REV.	ECN	DESCRIPTION	BY:
-	07-08-19	INITIAL RELEASE OF DRAWING	RMV



COVER	STEEL	GALVANIZED
DESCRIPTION	MATERIAL	FINISH

LIST OF PARTS

THE DESIGN AND DIMENSIONS OF THE PRODUCT SHOWN ON THIS DRAWING ARE SUBJECT TO CHANGE WITHOUT NOTICE

TITLE:
4 11/16" SQ. COVER, SINGLE DEVICE, RAISED 1-1/4"

TOLERANCE UNLESS OTHERWISE SPECIFIED .XX DECIMAL ± .015 .XXX DECIMAL ± .005 ANGLE ± 2°			DRAWN BY:	RMV	SCALE:	SIZE:
			APP. BY:	N.S.		
	DATE:	07-08-19	1:2			

- NOTES:
 1. ALL DIMENSIONS ARE IN INCHES AND [MILLIMETERS]
 2. BOX VOLUME: 9.5 IN³ [155.7 CM³]
 3. cULus LISTED