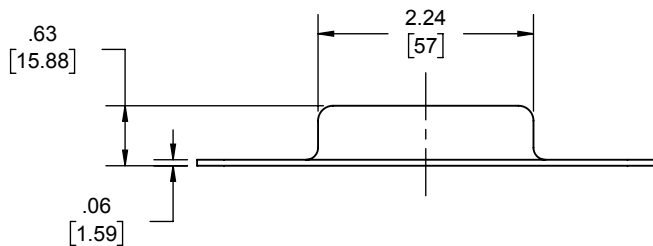
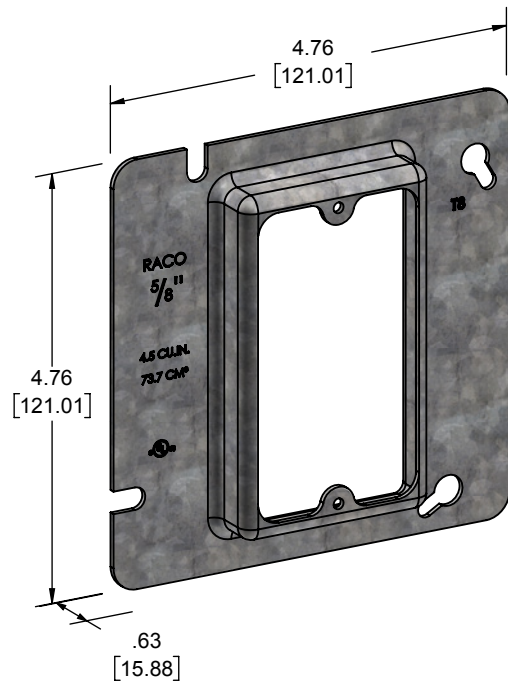
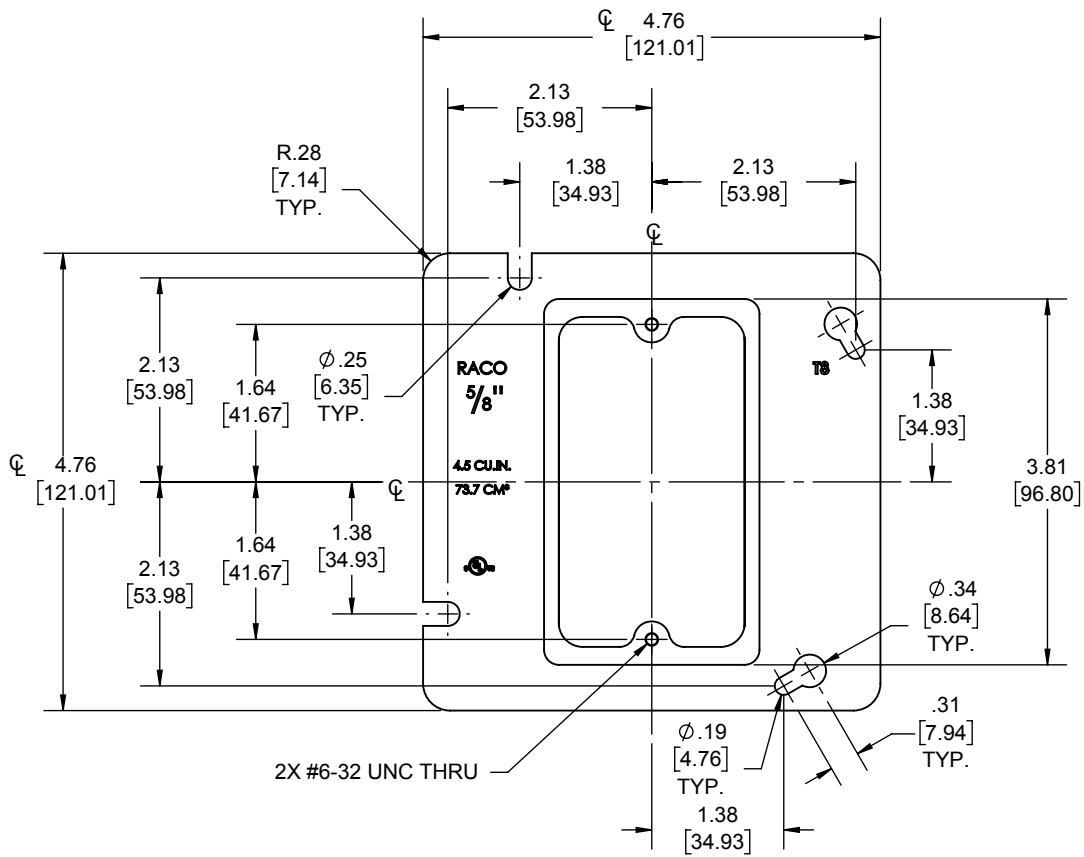


REVISIONS			
REV.	DATE	DESCRIPTION	BY
-	03-05-18	INITIAL RELEASE OF DRAWING	RMV

FILE NO.:
843 CUS



- NOTES:
 1. ALL DIMENSIONS ARE IN INCHES AND [MILLIMETERS]
 2. VOLUME: 3.5 IN³ [57.4 CM³]
 3. cULus LISTED

843
DIMENSION SHEET FOR CAT. NO.

COVER	STEEL	GALVANIZED
DESCRIPTION	MATERIAL	FINISH

THE DESIGN AND DIMENSIONS OF THE PRODUCT SHOWN ON THIS DRAWING ARE SUBJECT TO CHANGE WITHOUT NOTICE

TITLE:
4-11/16" SQ. MUD RING, SINGLE DEVICE, RAISED 5/8"

TOLERANCE UNLESS OTHERWISE SPECIFIED

.XX DECIMAL ± .015
.XXX DECIMAL ± .005
ANGLE ± 2°



DRAWN BY:	RMV	SCALE:	SIZE:
APP. BY:	N.S.	1:2	A
DATE:	03-05-18		

1 in | 1.5 in | 8