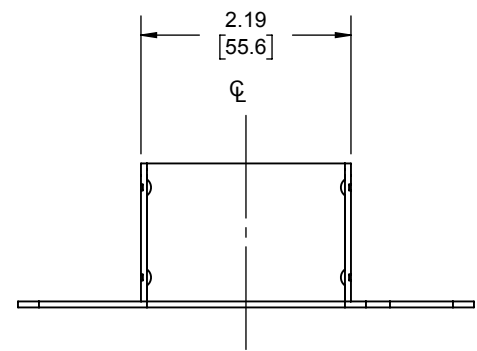
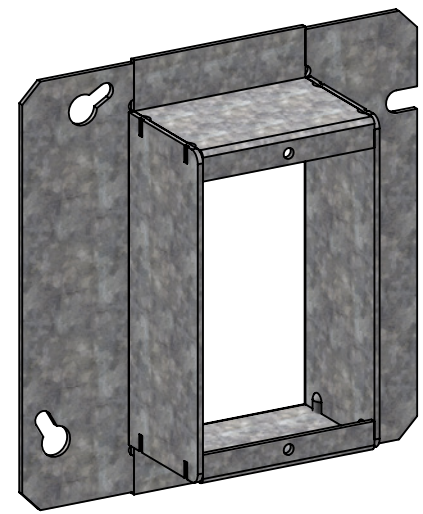
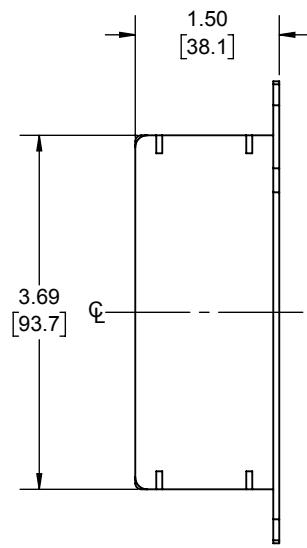
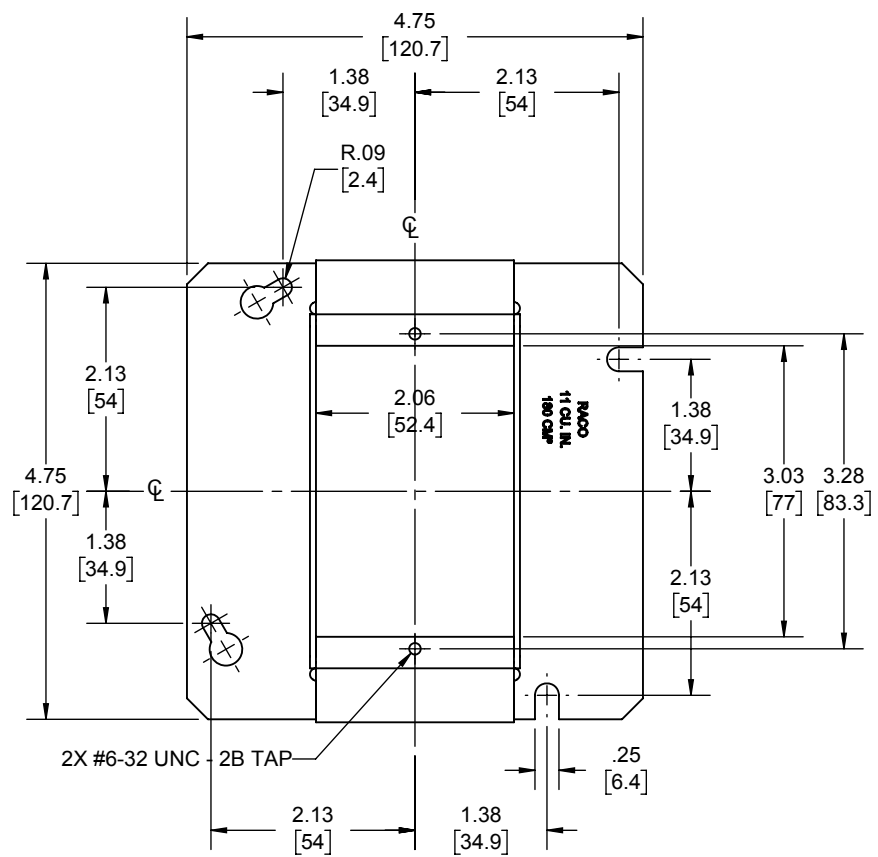


REVISIONS			
REV.	DATE	DESCRIPTION	BY:
-	09-04-19	INITIAL RELEASE	RMV



- NOTES:
1. ALL DIMENSIONS ARE IN INCHES AND [MILLIMETERS]
 2. BOX VOLUME: 11 IN³ [185 CM³]
 3. cULus LISTED

SIDES	STEEL	GALVANIZED
ENDS	STEEL	GALVANIZED
DESCRIPTION	MATERIAL	FINISH

LIST OF PARTS

THE DESIGN AND DIMENSIONS OF THE PRODUCT SHOWN ON THIS DRAWING ARE SUBJECT TO CHANGE WITHOUT NOTICE

TITLE:
TILE COVER FOR 4-11/16" SQ. BOX SINGLE DEVICE, RAISED 1-1/2"

TOLERANCE UNLESS OTHERWISE SPECIFIED			SCALE: 1:2	SIZE: A
.XX DECIMAL ± .015	.XXX DECIMAL ± .005			
ANGLE ± 2°		DRAWN BY: RMV	DATE: 09-04-19	
		APP. BY: N.S.		