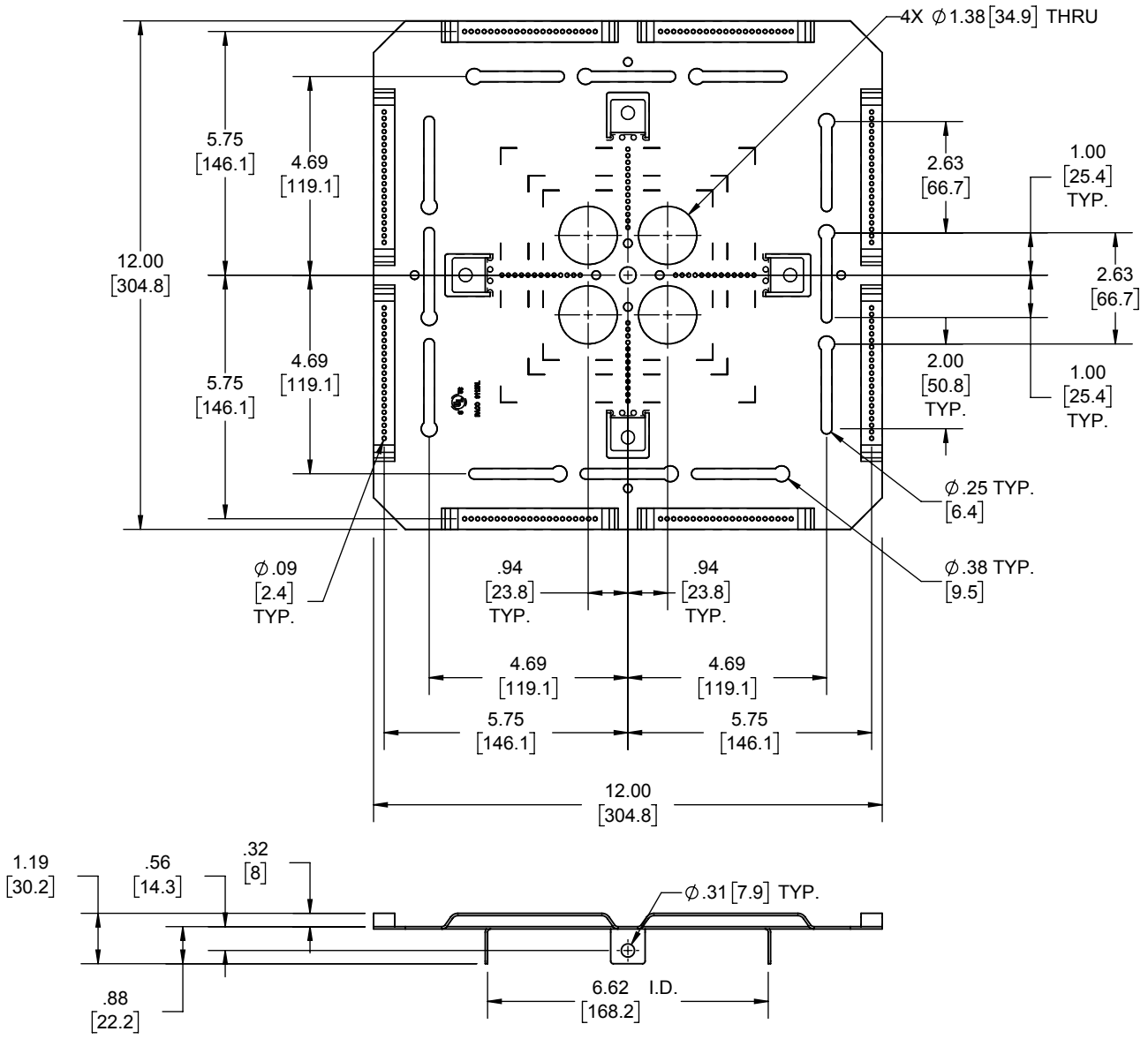


REVISIONS			
REV.	DATE	DESCRIPTION	BY
-	10-27-20	INITIAL RELEASE	RMV

FILE NO.:  
9112RRL CUS

DIMENSION SHEET FOR CAT. NO.  
9112RRL



- NOTES:
1. ALL DIMENSIONS ARE IN INCHES AND [MILLIMETERS]
  2. cULus LISTED
  3. FOR INSTRUCTION SHEET SCROLL DOWN TO NEXT SHEET

SUPPORT PLATE	STEEL	GALVANIZED
DESCRIPTION	MATERIAL	FINISH

**LIST OF PARTS**

THE DESIGN AND DIMENSIONS OF THE PRODUCT SHOWN ON THIS DRAWING ARE SUBJECT TO CHANGE WITHOUT NOTICE

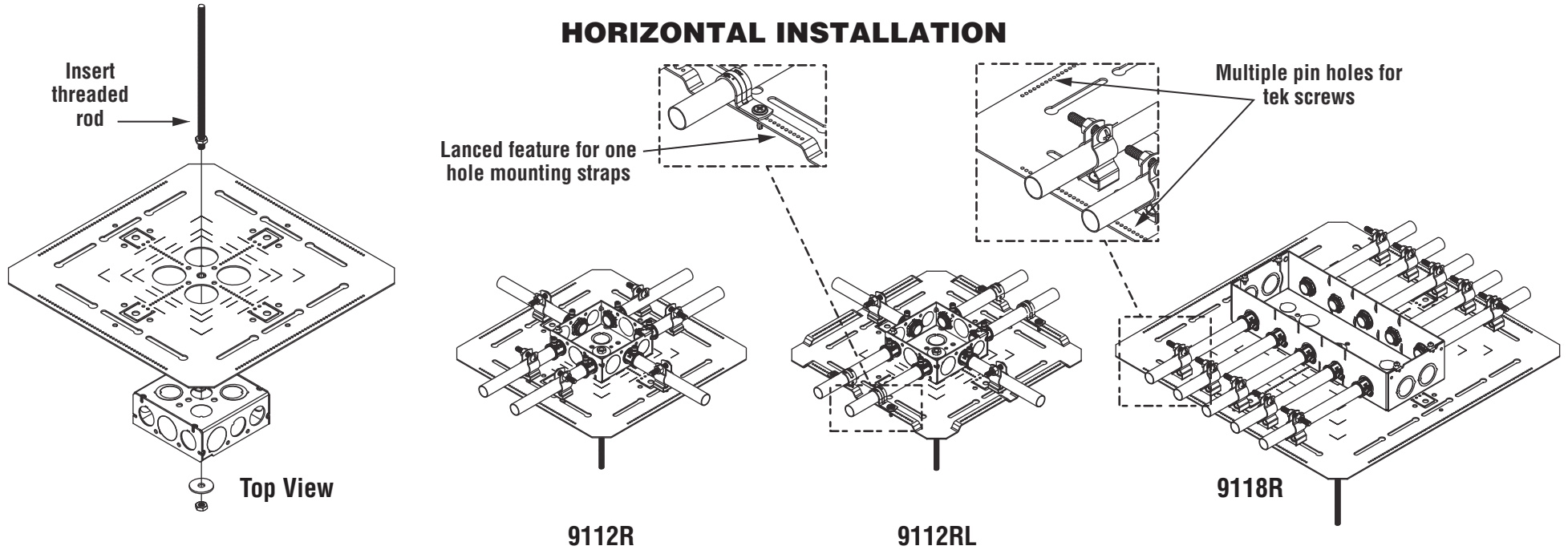
TITLE:  
**BOX AND CONDUIT SUPPORT PLATE - 12" LANCE**

TOLERANCE UNLESS OTHERWISE SPECIFIED  .XX DECIMAL $\pm$ .015 .XXX DECIMAL $\pm$ .005 ANGLE $\pm$ 2°			DRAWN BY:	RMV	SCALE:	SIZE:
			APP. BY:	N.S.		
	DATE:	10-27-20	1:4	<b>A</b>		

8.5in\*1.1in

# INSTALLATION INSTRUCTIONS FOR 9112R, 9112RL & 9118R

## HORIZONTAL INSTALLATION



## VERTICAL INSTALLATION

