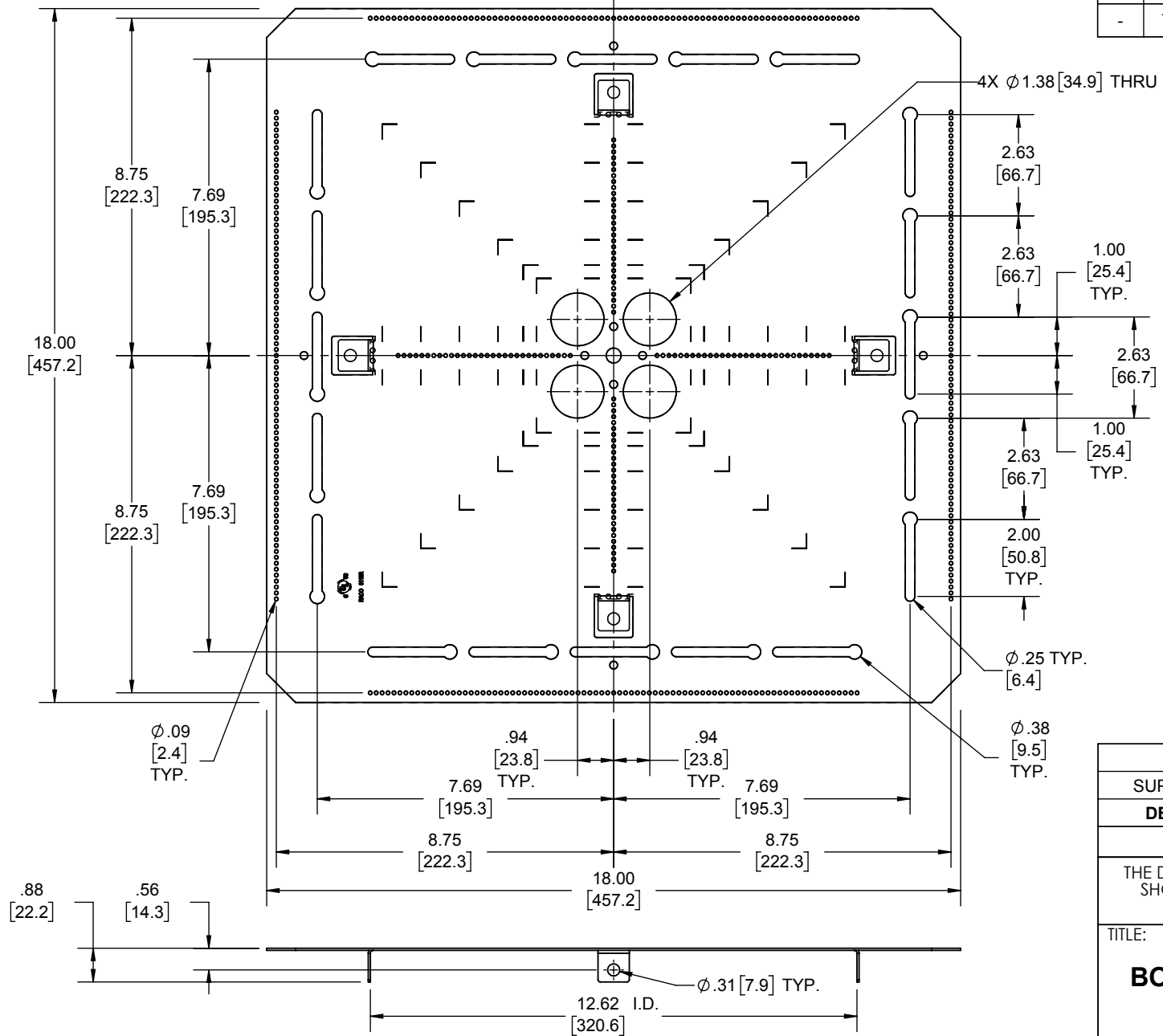


REVISIONS			
REV.	DATE	DESCRIPTION	BY
-	10-27-20	INITIAL RELEASE	RMV

FILE NO.:
9118R CUS

DIMENSION SHEET FOR CAT. NO.
9118R




DESCRIPTION	MATERIAL	FINISH
SUPPORT PLATE	STEEL	GALVANIZED

LIST OF PARTS

THE DESIGN AND DIMENSIONS OF THE PRODUCT SHOWN ON THIS DRAWING ARE SUBJECT TO CHANGE WITHOUT NOTICE

TITLE:

BOX AND CONDUIT SUPPORT PLATE - 18" PLAIN

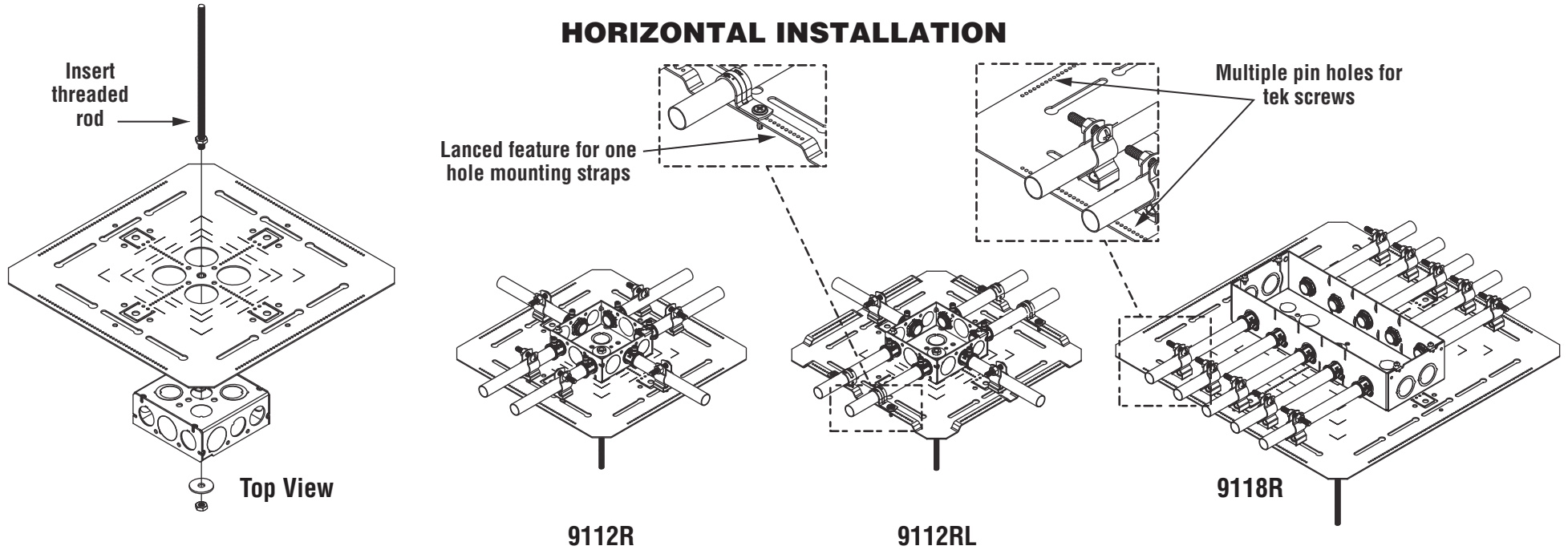
TOLERANCE UNLESS OTHERWISE SPECIFIED .XX DECIMAL ± .015 .XXX DECIMAL ± .005 ANGLE ± 2°			DRAWN BY:	RMV	SCALE:	SIZE:
			APP. BY:	N.S.		
	DATE:	10-27-20	1:4			

- NOTES:
1. ALL DIMENSIONS ARE IN INCHES AND [MILLIMETERS]
 2. cULus LISTED
 3. FOR INSTRUCTION SHEET SCROLL DOWN TO NEXT SHEET

8.5in 1.4in

INSTALLATION INSTRUCTIONS FOR 9112R, 9112RL & 9118R

HORIZONTAL INSTALLATION



VERTICAL INSTALLATION

