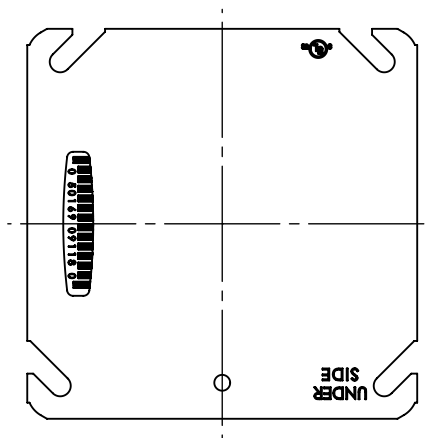
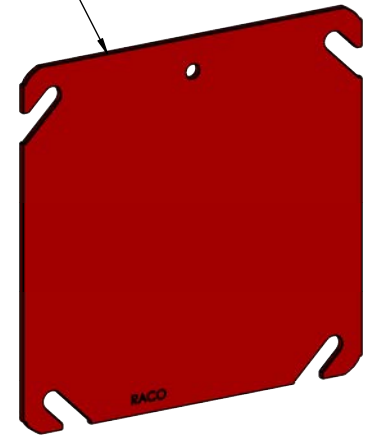


4" SQUARE ALARM BOX COVER



NOTES:

1. ALL DIMENSIONS ARE IN INCHES AND [MILLIMETERS]
2. cULus LISTED

REVISIONS			
REV.	DATE	DESCRIPTION	BY
-	05-03-24	INITIAL RELEASE	RMV

COVER	STEEL	GALVANIZED
DESCRIPTION	MATERIAL	FINISH

LIST OF PARTS

THE DESIGN AND DIMENSIONS OF THE PRODUCT SHOWN ON THIS DRAWING ARE SUBJECT TO CHANGE WITHOUT NOTICE

TITLE:

4" SQUARE COVER, BLANK - RED

TOLERANCE UNLESS OTHERWISE SPECIFIED

.XX DECIMAL ± .015
.XXX DECIMAL ± .005
ANGLE ± 2°



DRAWN BY:	RMV	SCALE:	SIZE:
APP. BY:	N.S.	1:2	A
DATE:	05-03-24		

FILE NO.:
911-8 CUS

DIMENSION SHEET FOR CAT. NO.
911-8

8.5in*1.in