

LIST OF PARTS

DESCRIPTION	MATERIAL	FINISH
FAN BOX	STEEL	GALVANIZED
INSTRUCTION SHEET	PAPER	N/A
HARDWARE PACK	SEE BELOW	SEE BELOW
FAN BOX SCREW	STEEL	GALVANIZED
FLAT COVER	STEEL	GALVANIZED
CLAMPING BRACKET	STEEL	GALVANIZED
INNER BRACE	STEEL	GALVANIZED
OUTER BRACE	STEEL	GALVANIZED

HARDWARE PACK

NON-METALLIC CONNECTOR	POLYCARBONATE	BLACK
GROUND SCREW	STEEL	GALVANIZED/ GREEN
BOX TO CLAMPING BRACKET SCREW	STEEL	GALVANIZED
BRACE MOUNTING SCREW	STEEL	GALVANIZED

KNOCKOUTS

TRADE SIZE	LOCATION	QTY.
1/2" KO	BOTTOM	3

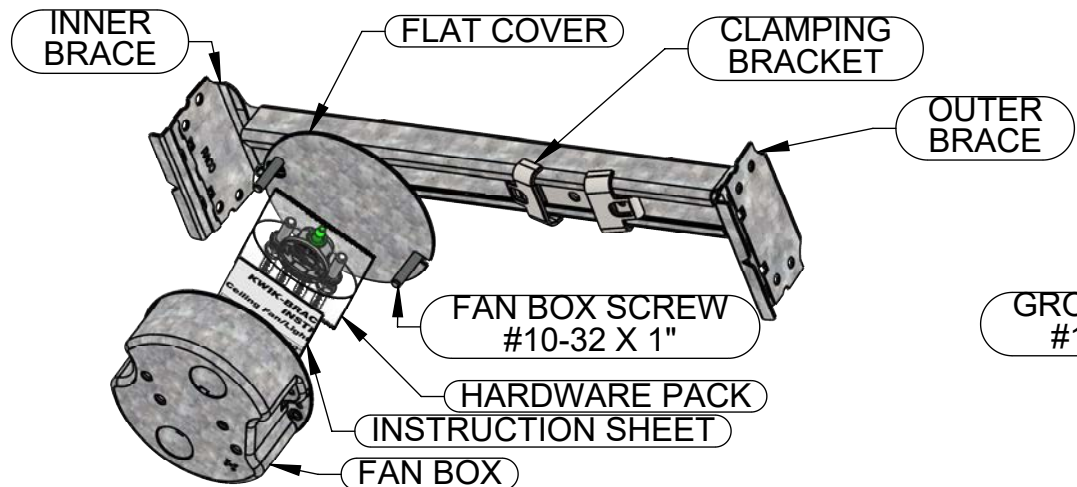
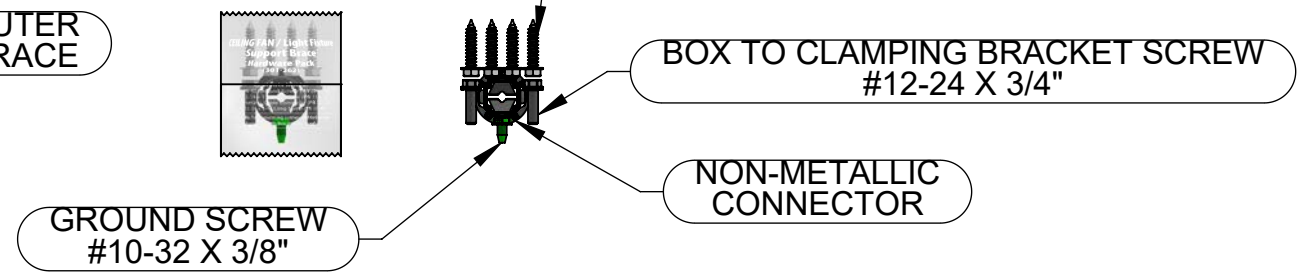
SYM.	REVISION DESCRIPTION	APP	DATE
	INITIAL RELEASE	N.S.	11/02/2015

THE DESIGN AND DIMENSIONS OF THE PRODUCT SHOWN ON THIS DRAWING ARE SUBJECT TO CHANGE WITHOUT NOTICE

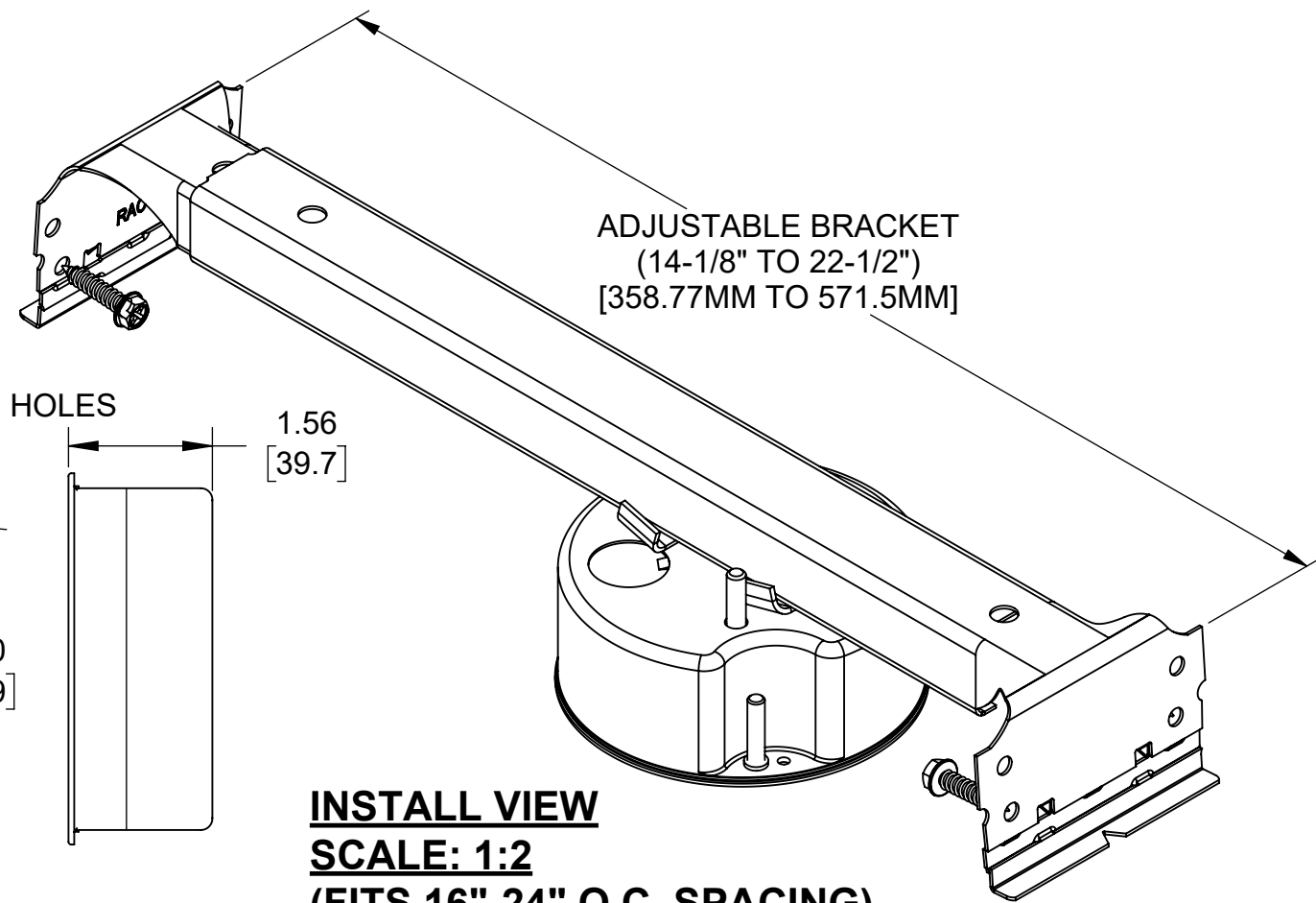
TITLE:
KWICK-BRACE® WITH BOX 1-1/2" DEEP

TOLERANCE UNLESS OTHERWISE SPECIFIED		RACO South Bend, Indiana	
.XX DECIMAL ±.015	.XXX DECIMAL ±.005	DRAWN BY: J.R.	SCALE: 1:4
ANGLE ±2°		APP. BY: N.S.	
		DATE: 11/02/2015	

**HARDWARE PACK
BREAK DOWN**

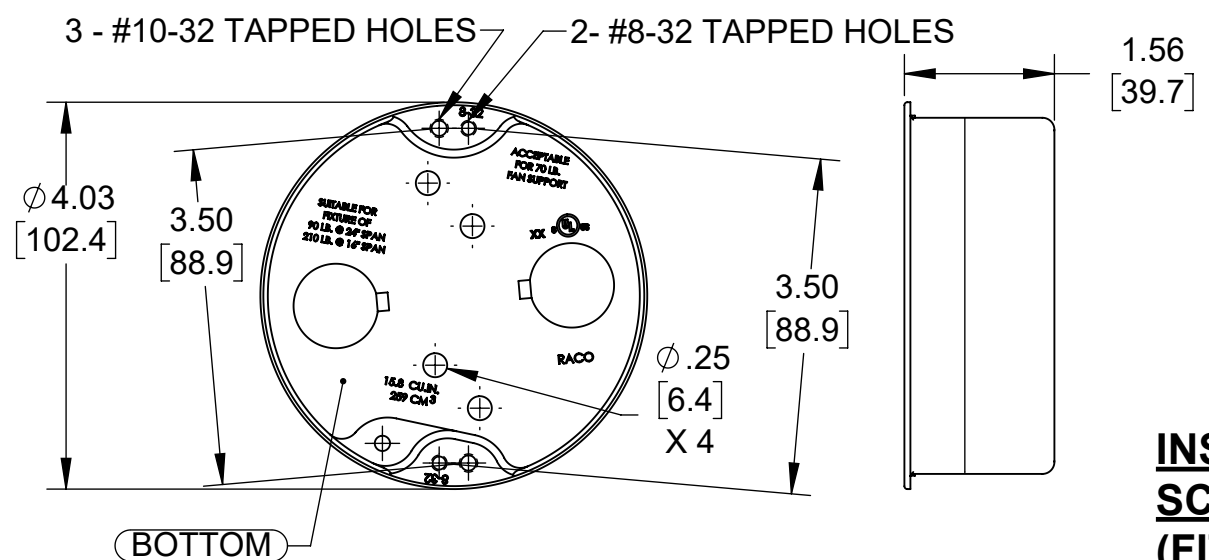


**SCROLL TO NEXT 2 SHEETS FOR
PRINTABLE INSTRUCTIONS**
(INSTRUCTION SHEETS ARE 8.5" X 11")



INSTALL VIEW
SCALE: 1:2
(FITS 16"-24" O.C. SPACING)
[406.4MM - 609.6MM O.C. SPACING]

BOX VIEW
SCALE: 1:2



- NOTES:
- ALL DIMENSIONS ARE IN INCHES AND [MILLIMETERS]
 - BOX VOLUME: 15.8 IN³ [258.9 CM³]
 - FAN SUPPORT-70LBS [31.75KG]; FIXTURE SUPPORT- 16" [406.4MM] O.C. SPAN 210LBS [95.25KG] / 24" O.C. SPAN [609.6MM] 90LBS [40.82KG]
 - cULus® LISTED

INSTALLATION

Step 6 - Install fan or light fixture:

- A. Mount fan/fixture to box using only those screws provided with KWIK-BRACE®.
- B. Use 10-32 screws if mounting a fan, or fixture over 50 lbs. Use 8-32 (not provided) screws if mounting a light fixture.
- C. Follow fan or fixture manufacturer's wiring instructions. Green #10-32 ground screw is provided for grounding box fan/fixture.

KWIK-BRACE® INSTALLATION INSTRUCTIONS

Ceiling Fan/Light Fixture Support Brace

RACO® KWIK-BRACE® For New Construction					
		Max. Recommended Support Loads			
		Ceiling Fan (lbs.)		Fixture (lbs.)	
Description	RACO® Part #	24" Span	16" Span	24" Span	16" Span
4" Round Box, 1-1/2" Deep	926, 926-1, 926C, 926X, 926XL	70	70	90	210

GENERAL INSTRUCTIONS

- Turn off all power before beginning installation.
- Use care in installation to avoid knots in wood, truss plates on trusses, as well as existing electrical wires, plumbing heating ducts and gas lines. Visually inspect area before installing brace!
- Use only the hardware supplied to mount outlet box and fan/fixture bracket and brace.
- Wiring must meet local and national codes.
- Use disposable steel dust cover as protection plate for mudding/painting operation. Cover will protect wiring while router is used to cut drywall.
- RACO's new construction KWIK-BRACE and outlet box combinations are UL listed for the following support:

Ceiling fans: Not in excess of 70 lbs.

Lighting fixtures: Not in excess of 90 lbs., 24" span.
Not in excess of 210 lbs., 16" span.



3902 West Sample Street • South Bend, IN 46619
Tel: 574-234-7151 • Fax: 574-234-0625



U.S. Patent No's. 7,148,420, 7,191,994
6,332,597, and 6,098,945

MADE IN CHINA

PN 119142
RA-321 rev 4 Instr

INSTALLATION



Step 1

Remove dust cover plate for later use during drywall and/or painting operations.



Step 2

By using the proper position flange, box will automatically be flush with drywall when installed.

For 1/2" Sheetrock Installation:

Expand the brace to fit snugly between the structure members leaving positioning flange 1" below joist. Push brace up between members until positioning flange is flush with bottom of structural member.



For 3/4" Sheetrock Installation:

Using channel locks, break-off flange tab as shown. Expand the brace to fit snugly between the structure members leaving positioning flange 1" below joist. Push brace up between members until bottom of flange is flush with bottom of structural member.



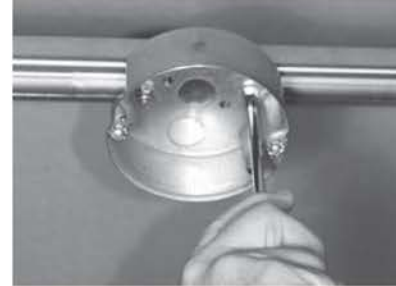
For 1" Sheetrock Installation:

Using channel locks, break-off flange tab as shown. Expand the brace to fit snugly between the structure members leaving positioning flange 1" below joist. Push brace up between members until bottom of flange is flush with bottom of structural member.



Two barbs on each side of brace will hold brace into position. Secure brace into wood with four, # 12-14 X 1" long lag screws.

INSTALLATION



Step 3

Slide box to desired position and tighten the two, # 12-24 screws in bottom of box securely.



Step 4

Remove desired knockout in outlet box for wire or conduit entry.



Step 5 - Select applicable wiring method:

A. Nonmetallic sheathed cable: Entering the box from the outside in, route nonmetallic sheathed cable through removed knockout leaving desired wire length in box. Install included nonmetallic connector (RACO Part #4714) on end of wire so that flanged end is facing you. Push connector along length of exposed wire.



Snap connector into knockout when reaching entry point.

B. Conduit: Install conduit fitting (not included) in removed knockout. Install conduit and wiring per National Electrical Code.

C. (optional) Replace dust cover removed in Step 1 to protect wiring during drywall and/or painting operations.

Step 6 continued on next page