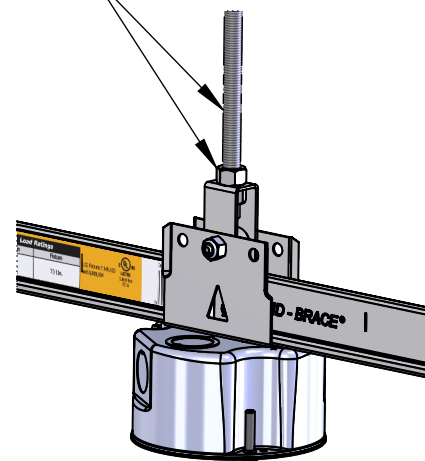


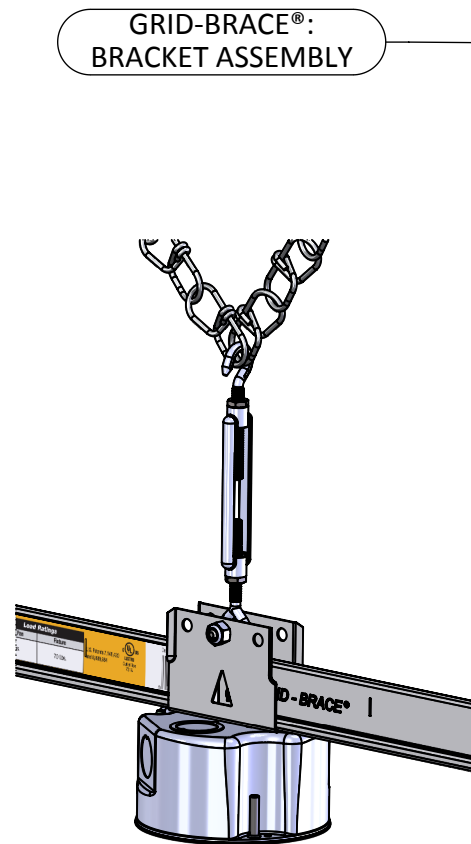
NOTE: FOR INSTRUCTION SHEET
 SCROLL DOWN TO NEXT 2 SHEETS
 (PRINT 11" X 8.5")

**PURCHASED
 SEPERATELY!!!**

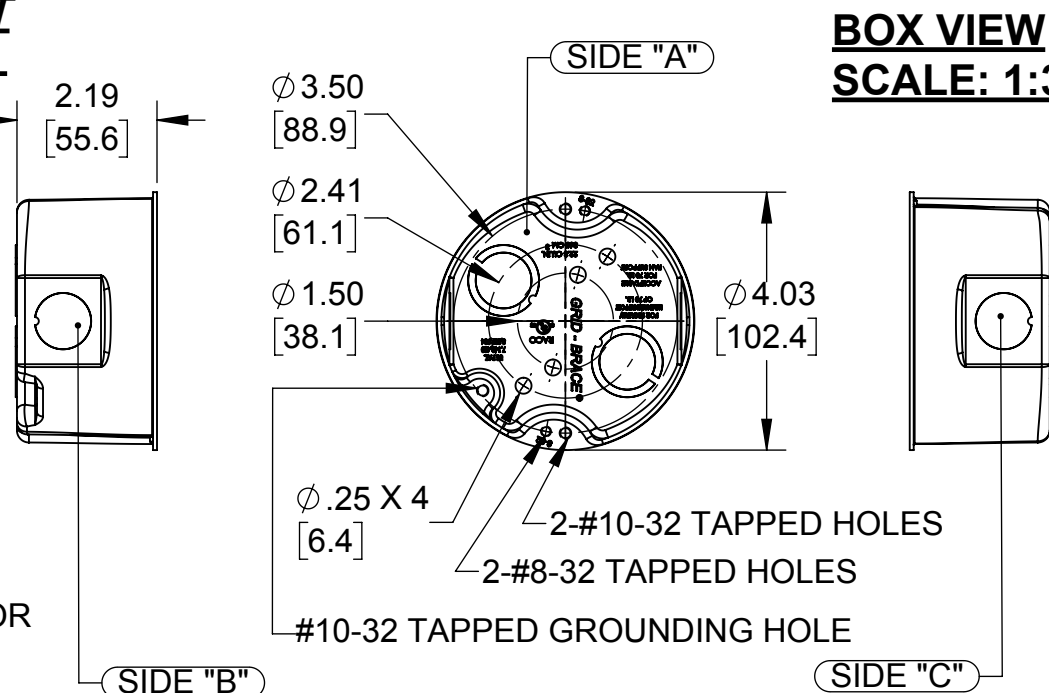
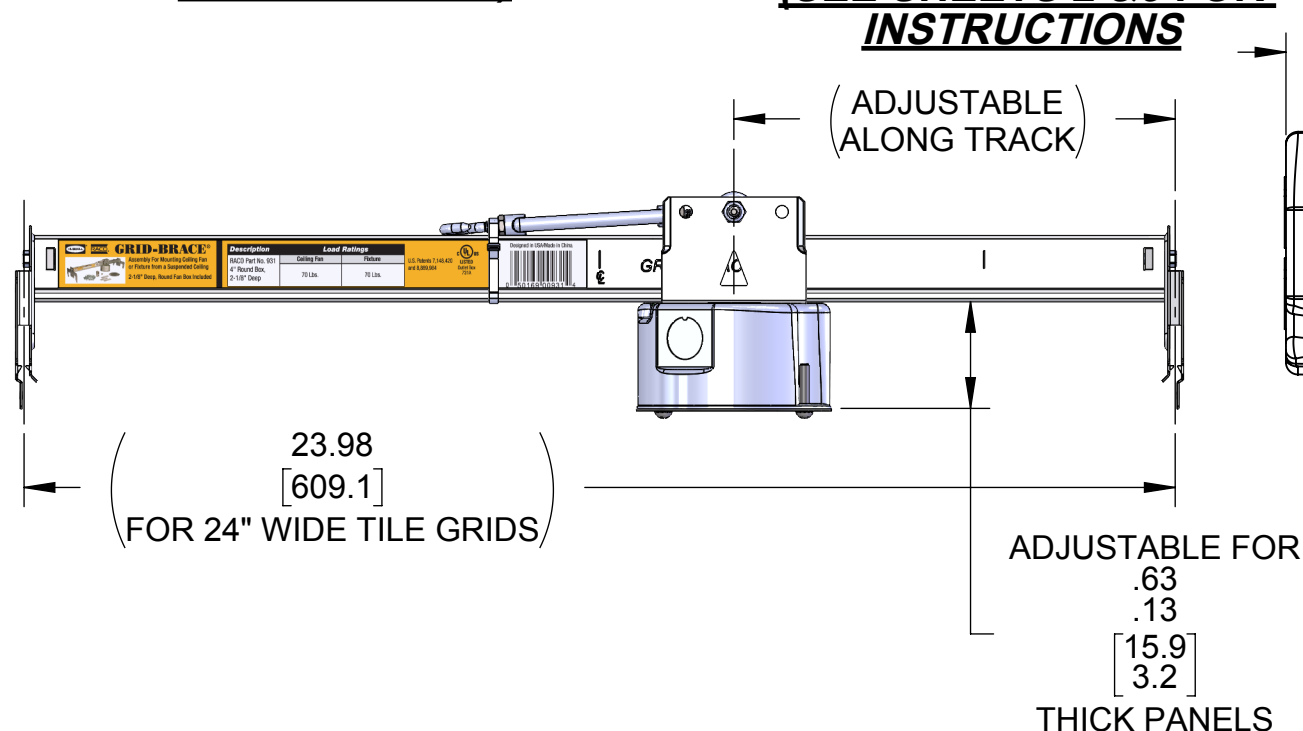
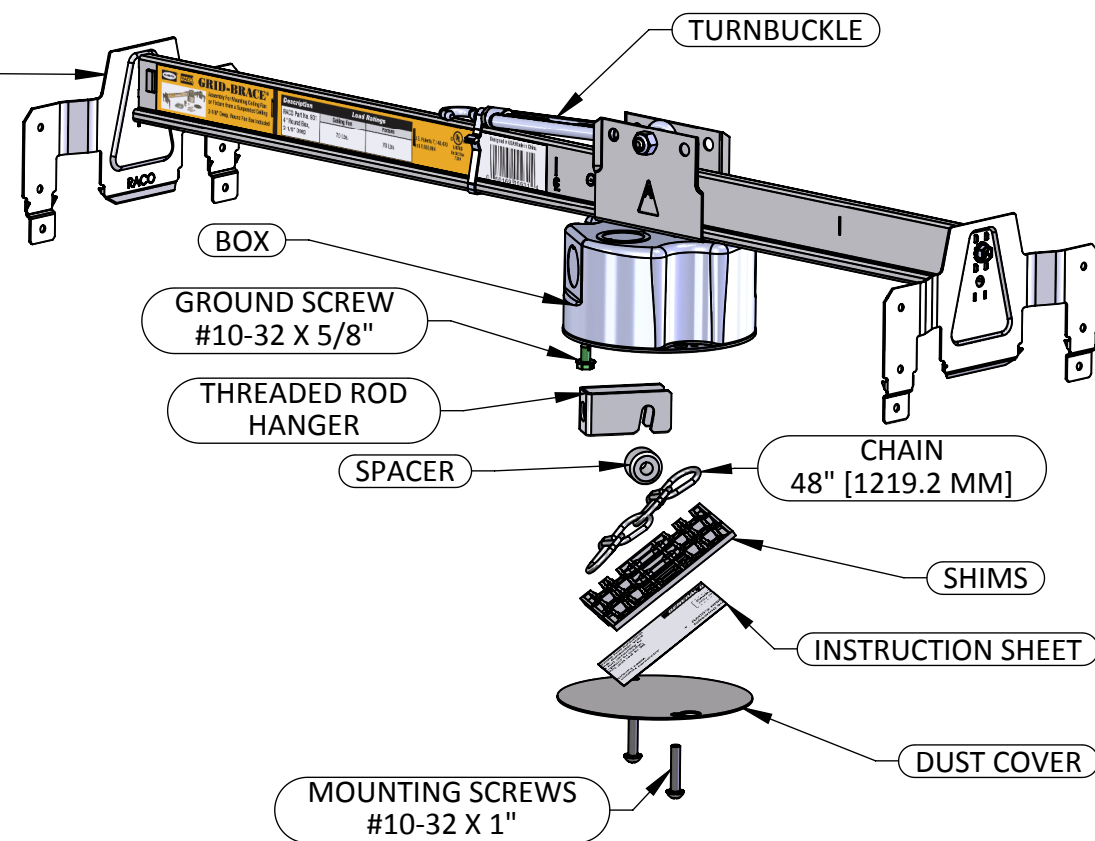
- 3/8-16 UNC THREADED
 ROD (ASTM A37 GRADE A)
- 3/8-16HEX NUT (2)
- 3/8-LOCK WASHER



**ASSEMBLED FOR THREADED
 ROD SUPPORT
 (SEE SHEETS 2 & 3 FOR
 INSTRUCTIONS)**



**ASSEMBLED FOR CHAIN &
 TURNBUCKLE SUPPORT
 (SEE SHEETS 2 & 3 FOR
 INSTRUCTIONS)**



- NOTES:
1. ALL DIMENSIONS ARE IN INCHES AND [MILLIMETERS]
 2. BOX VOLUME: 22.3 IN³ [365] CM³
 3. FAN / FIXTURE SUPPORT OF 70LBS [31.75KG]
 4. cULus® LISTED

LIST OF PARTS

DESCRIPTION	MATERIAL	FINISH
TURNBUCKLE	STAINLESS STEEL	POLISHED
CHAIN	#1 DOUBLE LOOP STEEL	GALVANIZED
SPACER	STEEL	GALVANIZED
THREADED ROD HANGER	STEEL	GALVANIZED
GROUND SCREW	STEEL	GALVANIZED/GREEN
SHIMS	POLY CARBONATE	GRAY
DUST COVER	STEEL	GALVANIZED
INSTRUCTION SHEET	PAPER	N/A
BOX	STEEL	GALVANIZED
GRID-BRACE®	STEEL	GALVANIZED
MOUNTING SCREW	STEEL	GALVANIZED

KNOCKOUTS

TRADE SIZE	LOCATION	QTY.
(1/2"-3/4") TKO®	"A"	2
1/2" KO	"B", "C"	1

SYMBOL	REVISION DESCRIPTION	APP	DATE
	INITIAL RELEASE	N.S.	07/11/2016

THE DESIGN AND DIMENSIONS OF THE PRODUCT SHOWN ON THIS DRAWING ARE SUBJECT TO CHANGE WITHOUT NOTICE

TITLE: **GRID-BRACE®:
 CEILING FAN/LIGHT
 FIXTURE SUPPORT
 BRACE WITH BOX**

TOLERANCE UNLESS OTHERWISE SPECIFIED		RACO South Bend, Indiana	SCALE: 1:4
.XX DECIMAL ±.015	DRAWN BY: J.RICHARD		
.XXX DECIMAL ±.005	APP. BY: N.S.		
ANGLE ±2°	DATE: 07/11/2016		

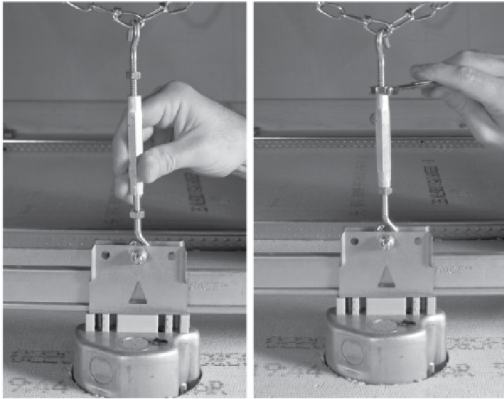
FILE NO.:
931-CUS

DIMENSION SHEET FOR CAT. NO.
931

SIZE:
B
 11in*17in

INSTALLATION

CHAIN AND TURNBUCKLE

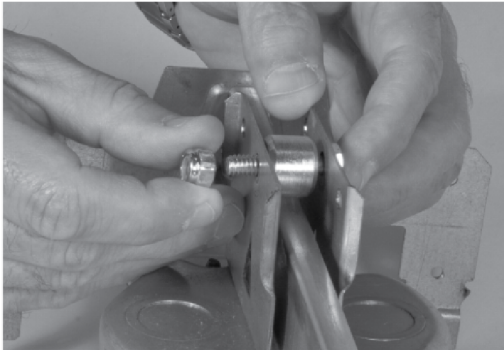


Step 7

Support brace from building structure using both chain and turnbuckle provided. Adjust turnbuckle to remove slack in chain. Lock in place by tightening locking nuts.

Or, support brace from solid anchor or strut attached to building structure using standard 3/8" - 16 threaded rod ASTM A307 Grade A (not included) with yoke provided. Remove turnbuckle by removing nut and bolt. Re-assemble bolt including spacer bushing. Assemble yoke and threaded rod assembly to bolt keeping spacer in center, and tighten bolt and nut to 35 inch pounds.

THREADED ROD

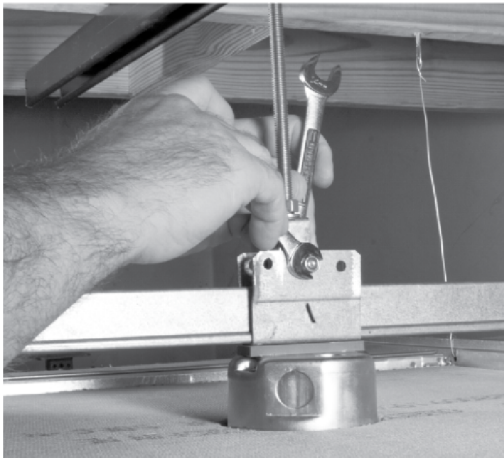


Step 8

Assemble approved cable connector or conduit connector to box.

Step 9

Mount fan or fixture to box, and complete wiring according to manufacturer's instructions and local codes.



GRID-BRACE® INSTALLATION INSTRUCTIONS

Ceiling Fan/Light Fixture Support Brace

RACO® GRID-BRACE® for Suspended Ceilings

Description	RACO® Part No.	Load Ratings	
		Ceiling Fan	Fixture
4" Round Box, 2-1/8" Deep	931	70 Lbs.	70 Lbs.

GENERAL INSTRUCTIONS

Caution: Disconnect power supply. Use RACO® supplied screws only (except 8-32 screws for light fixtures).

- RACO's GRID-BRACE and outlet box combination is cULus listed for the following support in horizontal suspended ceilings:

Ceiling Fans: 70 lbs.

Lighting Fixtures: 70 lbs.

- Additional support **MUST** be used per Step 7 of instructions.



3902 West Sample Street • South Bend, IN 46619
Tel: 574-234-7151 • Fax: 574-234-0625



U.S. Patent 7,148,420
U.S. Patent 88,889,984

DESIGNED IN USA/MADE IN CHINA



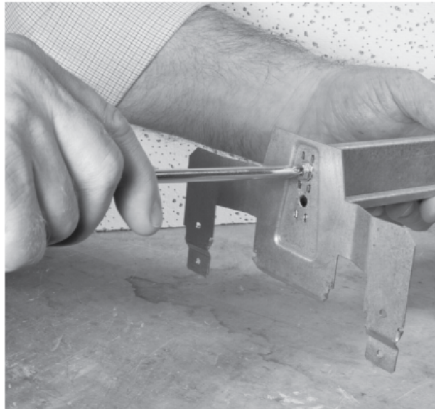
PN 402637
RA-331 Instr REV2

INSTALLATION

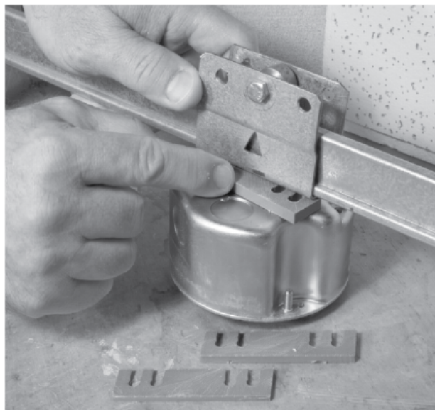


Step 1 Cut 4-1/8" to 4-1/4" dia. hole in ceiling tile for cat no 931 (4" round box).

Step 2 Remove desired knockout in box

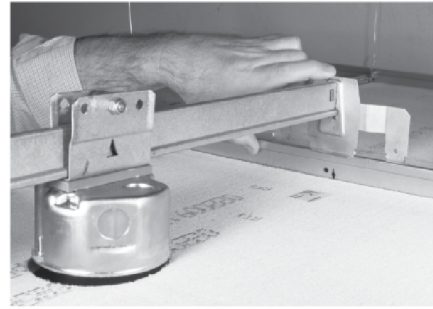


Step 3 Check to make sure screws on either end of brace are snug. Brace is preset for 2-1/8" deep boxes. Remove screw and reposition brace to lower mounting position for 1-1/2" deep boxes.



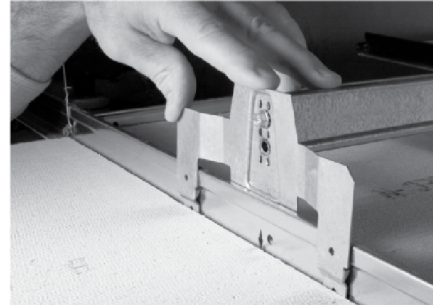
Step 4 Spacers are provided for decorative ceiling tiles that extend below the grid. Mix and match thicknesses to suit, and position between box and support. Spacers can be discarded if using flat tiles.

INSTALLATION



Step 5 With ceiling tile in place, locate the brace and box where desired, and position end clips so the long legs are on the outside of the grid and snap short leg on inside of grid. Repeat for the other end.

If required by local code, secure End Clips with sheet metal screws (not provided) into Ceiling Grid through holes provided.



Step 6 Center box in opening and secure by tightening the two screws in the back of the box.

Steps 7, 8 and 9 continued on next page.