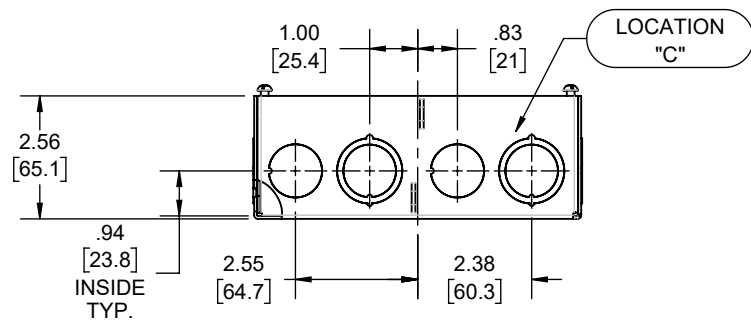
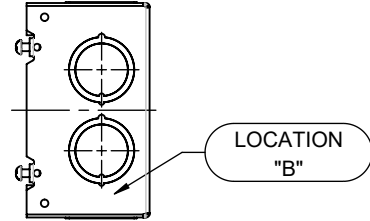
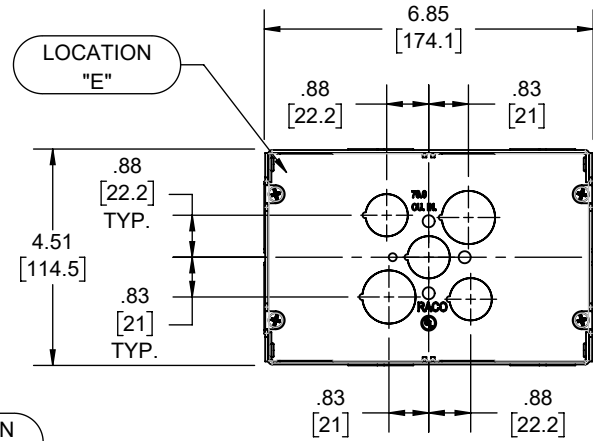
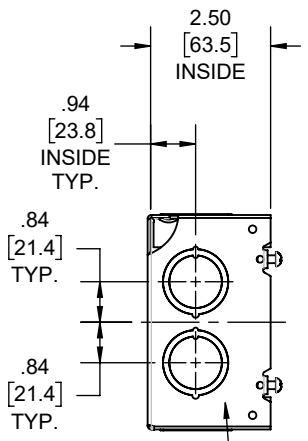
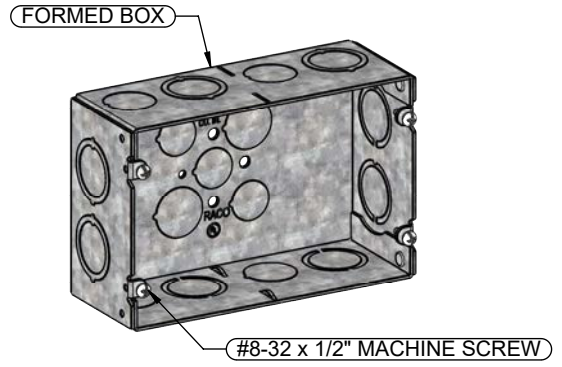
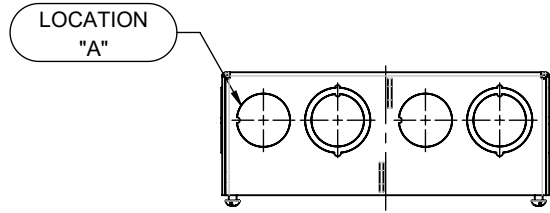


REVISIONS			
REV.	DATE	DESCRIPTION	BY
-	11-03-22	INITIAL RELEASE	RMV



DESCRIPTION	MATERIAL	FINISH
FASTENERS	STEEL	GALVANIZED
FORMED BOX	STEEL	GALVANIZED

**LIST OF PARTS**

THE DESIGN AND DIMENSIONS OF THE PRODUCT SHOWN ON THIS DRAWING ARE SUBJECT TO CHANGE WITHOUT NOTICE

TITLE:  
**2 GANG BOX W/ TOG-L-LOK,  
 2-1/2" DP.**

KNOCKOUTS		
TRADE SIZE	LOCATION	QTY.
1/2" KO	E	3
3/4" KO	A, C, E	2
1/2"-3/4" CONCENTRIC KO	A, B, C, D	2

TOLERANCE UNLESS OTHERWISE SPECIFIED

.XX DECIMAL ± .015  
 .XXX DECIMAL ± .005  
 ANGLE ± 2°

DRAWN BY: RMV  
 APP. BY: N.S.  
 DATE: 11-03-22

SCALE: 1:4

SIZE: **A**

- NOTES:
1. ALL DIMENSIONS ARE IN INCHES AND [MILLIMETERS]
  2. VOLUME: 70.0 IN<sup>3</sup> [1147.1 CM<sup>3</sup>]
  3. UL LISTED