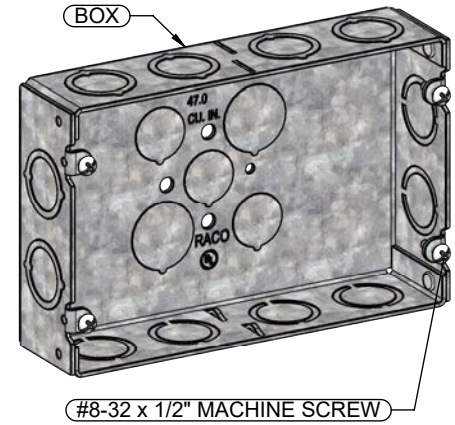
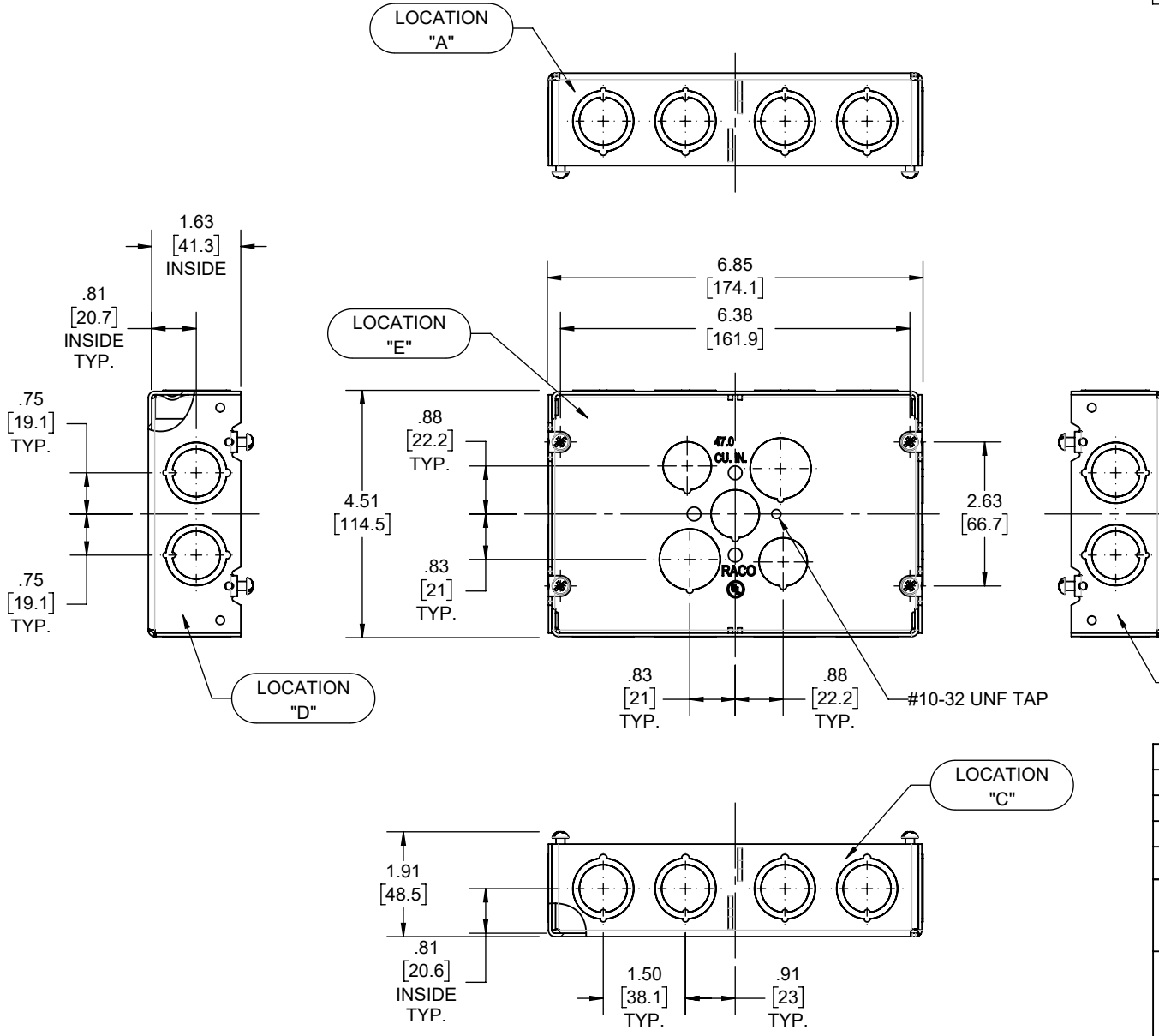


REVISIONS			
REV.	DATE	DESCRIPTION	BY
-	02-24-23	INITIAL RELEASE	RMV



- NOTES:
1. ALL DIMENSIONS ARE IN INCHES AND [MILLIMETERS]
 2. VOLUME: 47.0 IN³ [770.2 CM³]
 3. UL LISTED

KNOCKOUTS		
TRADE SIZE	LOCATION	QTY.
1/2" KO	E	6
3/4" KO	E	4
1/2"-3/4" CONCENTRIC KO	A, C	4
1/2"-3/4" CONCENTRIC KO	B, D	2

DESCRIPTION	MATERIAL	FINISH
FASTENERS	STEEL	GALVANIZED
BOX	STEEL	GALVANIZED

LIST OF PARTS

THE DESIGN AND DIMENSIONS OF THE PRODUCT SHOWN ON THIS DRAWING ARE SUBJECT TO CHANGE WITHOUT NOTICE

TITLE:
2-GANG BOX, WELDED, 1-5/8 IN. DP.

TOLERANCE UNLESS OTHERWISE SPECIFIED .XX DECIMAL ± .015 .XXX DECIMAL ± .005 ANGLE ± 2°	RACO		SCALE:	SIZE:
	DRAWN BY:	RMV	1:3	A
	APP. BY:	N.S.		
DATE:	02-24-23			