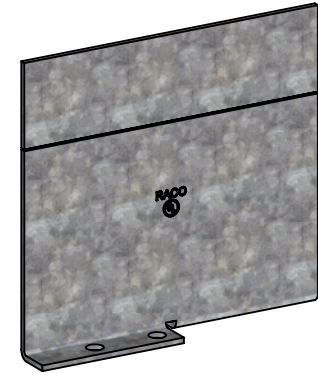
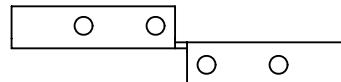
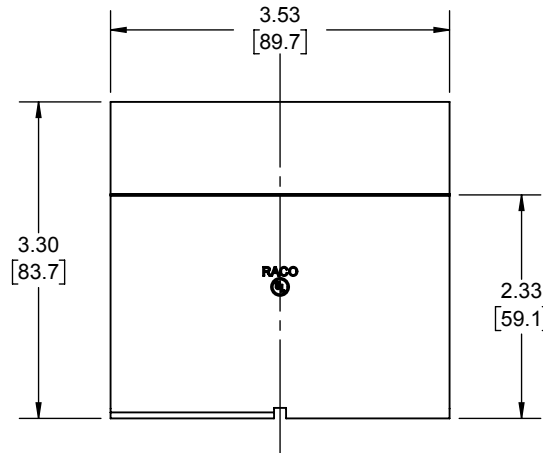
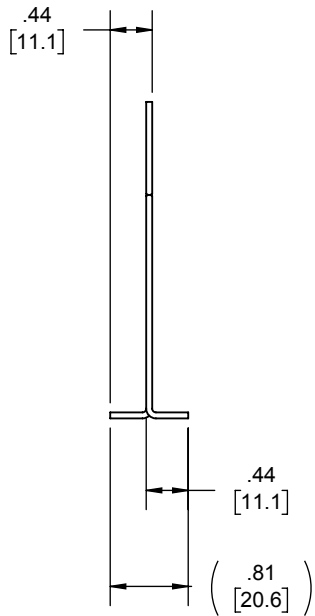
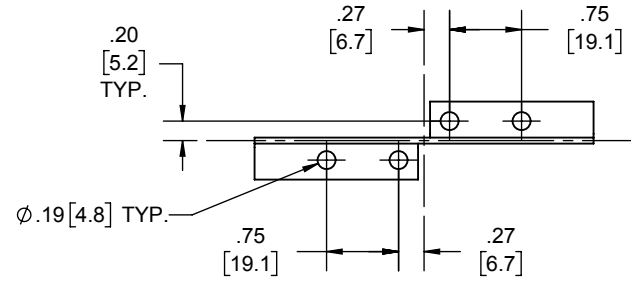


REVISIONS

REV.	DATE	DESCRIPTION	BY
-	10-07-19	INITIAL RELEASE	RMV



PARTITION	STEEL	GALVANIZED
<b>DESCRIPTION</b>	<b>MATERIAL</b>	<b>FINISH</b>

LIST OF PARTS

THE DESIGN AND DIMENSIONS OF THE PRODUCT SHOWN ON THIS DRAWING ARE SUBJECT TO CHANGE WITHOUT NOTICE

TITLE:  
**LOW VOLTAGE PARTITION - MASONRY BOX**

TOLERANCE UNLESS OTHERWISE SPECIFIED

.XX DECIMAL ± .015  
.XXX DECIMAL ± .005  
ANGLE ± 2°



DRAWN BY:	RMV	SCALE:	SIZE:
APP. BY:	N.S.	1:2	A
DATE:	10-07-19		

NOTES:

1. ALL DIMENSIONS ARE IN INCHES AND [MILLIMETERS]
2. UL LISTED