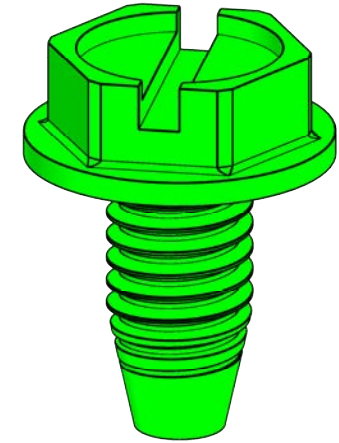
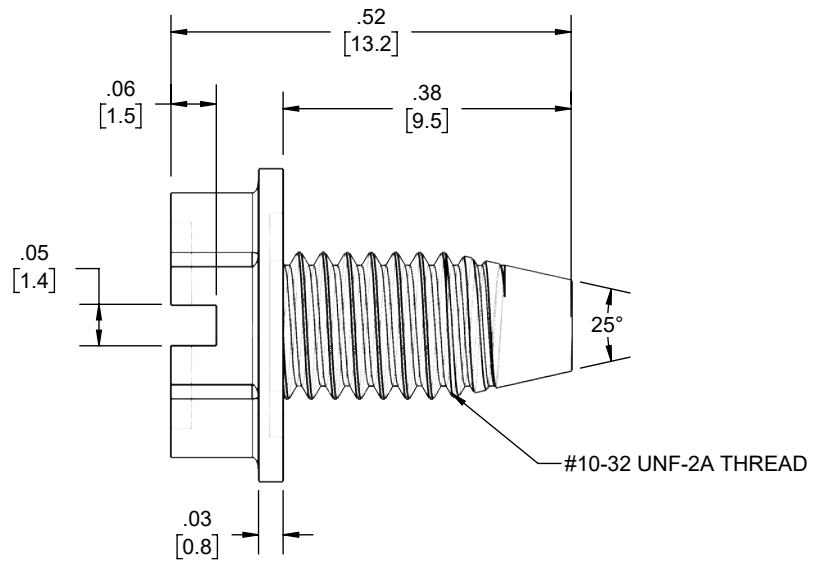
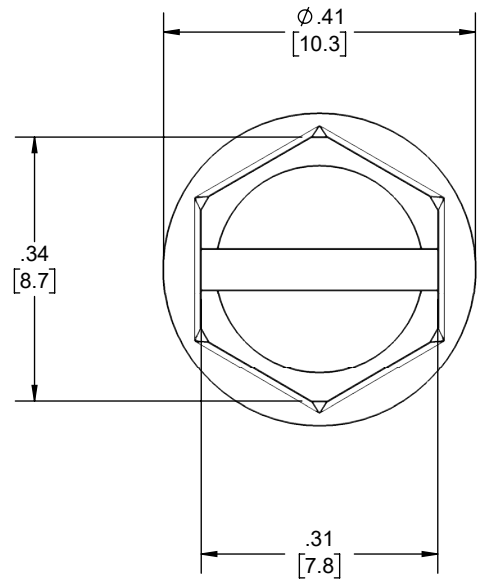


REVISIONS			
REV.	DATE	DESCRIPTION	BY
-	08-26-21	INITIAL RELEASE	RMV



FASTENERS	STEEL	GREEN DYE
DESCRIPTION	MATERIAL	FINISH

LIST OF PARTS

THE DESIGN AND DIMENSIONS OF THE PRODUCT SHOWN ON THIS DRAWING ARE SUBJECT TO CHANGE WITHOUT NOTICE

TITLE:
#10-32 x 3/8 GREEN GROUND SCREW SLOTTED

TOLERANCE UNLESS OTHERWISE SPECIFIED .XX DECIMAL ± .015 .XXX DECIMAL ± .005 ANGLE ± 2°			DRAWN BY:	RMV	SCALE:	4:1
			APP. BY:	N.S.		
	DATE:	08-26-21	SIZE:	A		

NOTES:
 1. ALL DIMENSIONS ARE IN INCHES AND [MILLIMETERS]