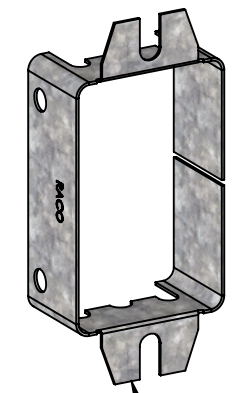
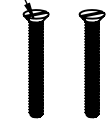
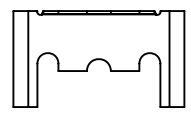
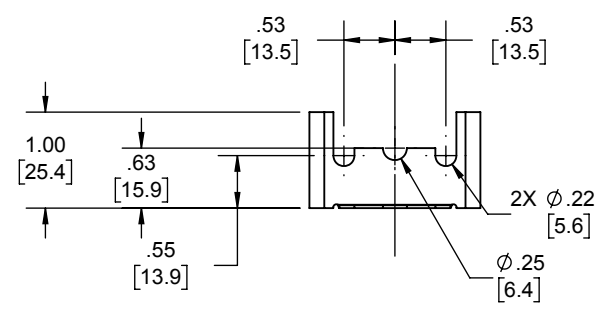
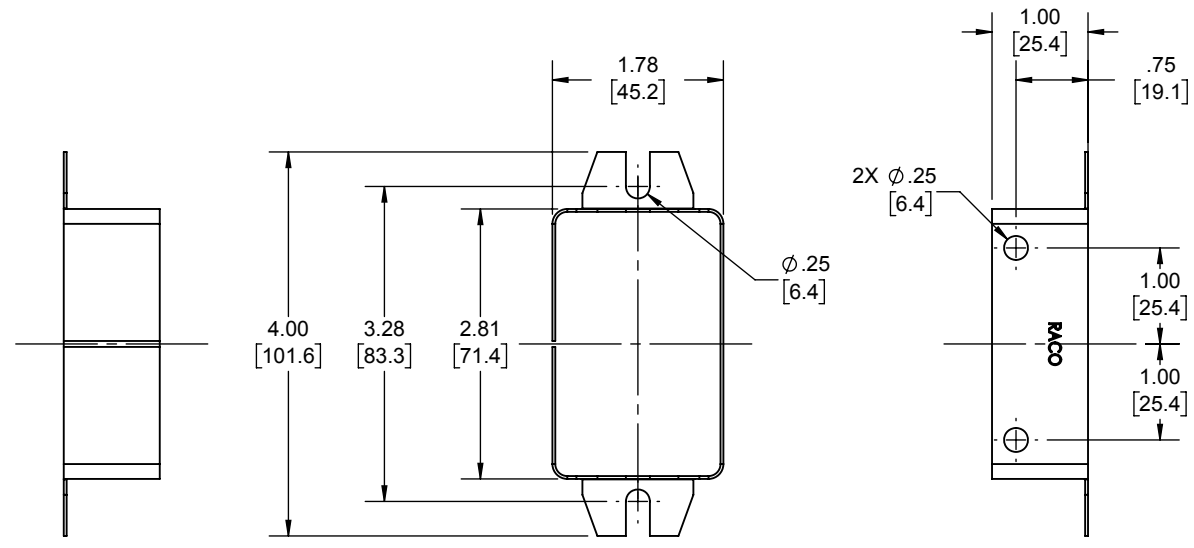


REVISIONS			
REV.	DATE	DESCRIPTION	BY
-	12-15-20	INITIAL RELEASE	RMV

#6-32 x 1-1/8" FLAT HEAD MACHINE SCREW



EXTENSION RING



DESCRIPTION	MATERIAL	FINISH
FASTENERS	STEEL	GALVANIZED
EXTENSION RING	STEEL	GALVANIZED

LIST OF PARTS

THE DESIGN AND DIMENSIONS OF THE PRODUCT SHOWN ON THIS DRAWING ARE SUBJECT TO CHANGE WITHOUT NOTICE

TITLE:
SWITCH BOX EXTENSION RING

TOLERANCE UNLESS OTHERWISE SPECIFIED .XX DECIMAL ± .015 .XXX DECIMAL ± .005 ANGLE ± 2°			DRAWN BY:	RMV	SCALE:	SIZE:
			APP. BY:	N.S.		
	DATE:	12-15-20	1:2	A		

NOTES:
1. ALL DIMENSIONS ARE IN INCHES AND [MILLIMETERS]