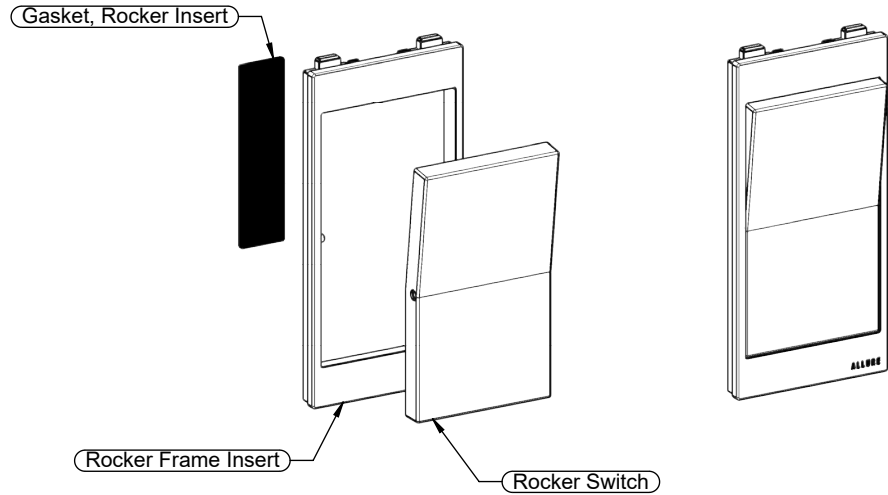
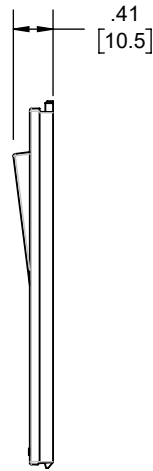
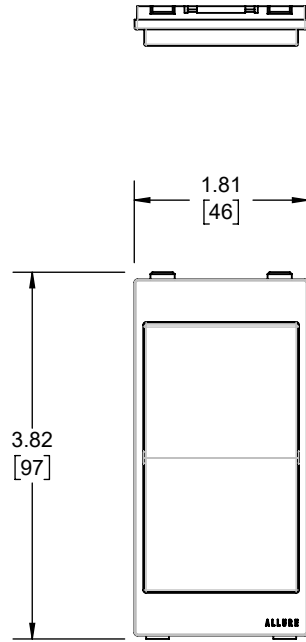


REVISIONS			
REV.	DATE	DESCRIPTION	BY
-	06-30-23	INITIAL RELEASE	JRM



DESCRIPTION	MATERIAL	FINISH
GASKET	PE FOAM	-
SWITCH	ABS	WHITE
FRAME	ABS	WHITE

**LIST OF PARTS**

THE DESIGN AND DIMENSIONS OF THE PRODUCT SHOWN ON THIS DRAWING ARE SUBJECT TO CHANGE WITHOUT NOTICE

TITLE:  
**Rocker Insert Assembly**

TOLERANCE UNLESS OTHERWISE SPECIFIED			SCALE:	SIZE: <b>A</b>
.XX DECIMAL ± .015	.XXX DECIMAL ± .005		DRAWN BY: JRM	
ANGLE ± 2°		APP. BY: N.S.		
		DATE: 06-30-23		

NOTES:  
1. ALL DIMENSIONS ARE IN INCHES AND [MILLIMETERS]