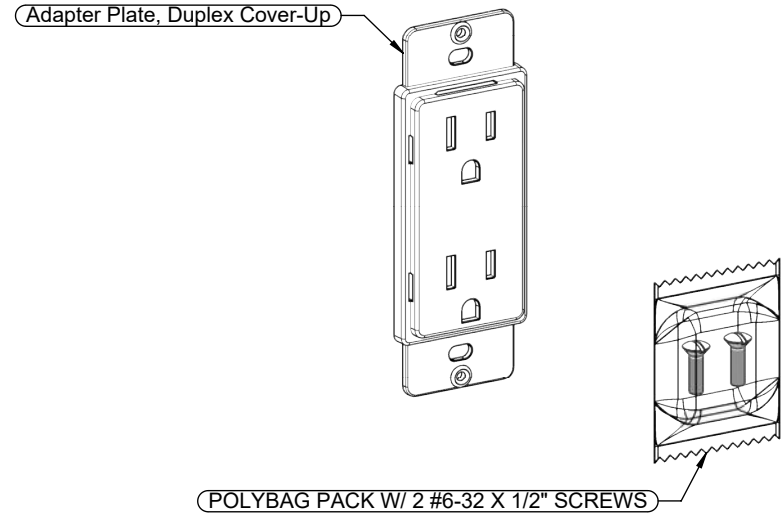
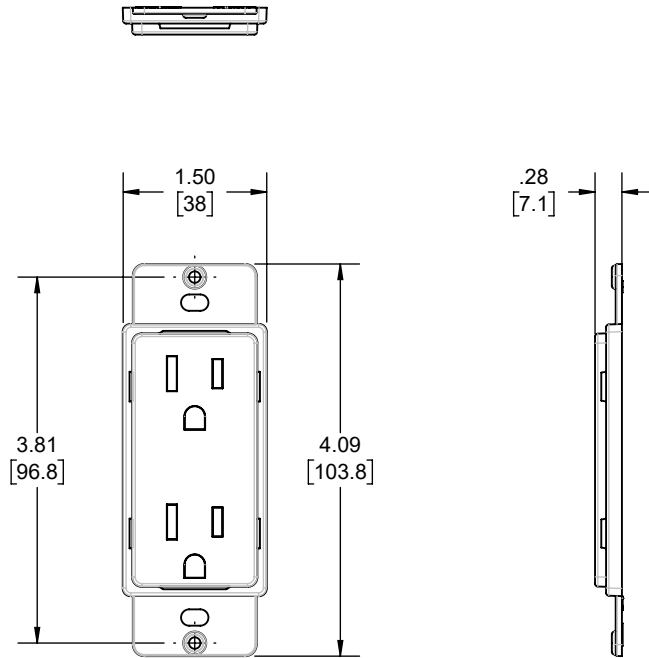


REVISIONS			
REV.	DATE	DESCRIPTION	BY
-	06-30-23	INITIAL RELEASE	JRM



FASTENERS	STEEL	GALVANIZED
PLATE	PVC	-
DESCRIPTION	MATERIAL	FINISH

LIST OF PARTS

THE DESIGN AND DIMENSIONS OF THE PRODUCT SHOWN ON THIS DRAWING ARE SUBJECT TO CHANGE WITHOUT NOTICE

TITLE:
ADAPTER PLATE, DUPLEX RECEPTACLE, COVER-UP

TOLERANCE UNLESS OTHERWISE SPECIFIED			SCALE:	SIZE:
.XX DECIMAL ± .015	.XXX DECIMAL ± .005			
ANGLE ± 2°		APP. BY: N.S.		
		DATE: 06-30-23		

NOTES:
1. ALL DIMENSIONS ARE IN INCHES AND [MILLIMETERS]