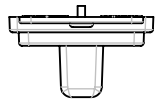
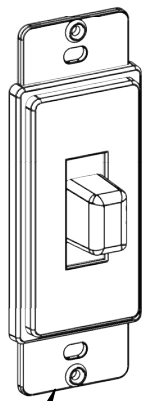
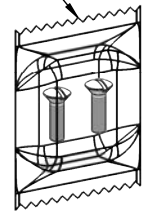


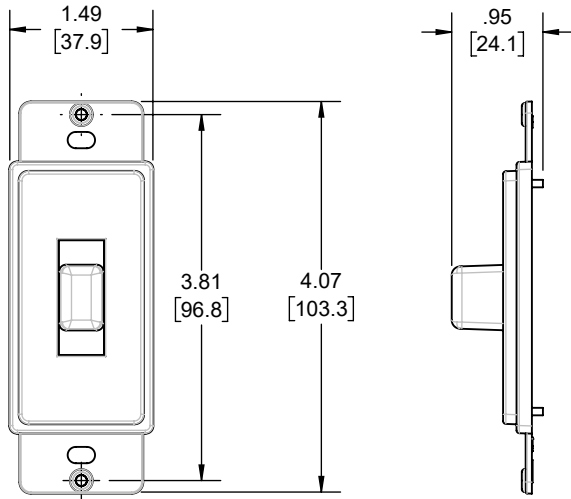
REVISIONS			
REV.	DATE	DESCRIPTION	BY
-	07-03-23	INITIAL RELEASE	JRM



(POLYBAG PACK W/ 2 #6-32 X 1/2" SCREWS)



(Adapter Plate, Toggle Switch, Cover-Up)



FASTENERS	STEEL	GALVANIZED
PLATE	PVC	-
DESCRIPTION	MATERIAL	FINISH

LIST OF PARTS

THE DESIGN AND DIMENSIONS OF THE PRODUCT SHOWN ON THIS DRAWING ARE SUBJECT TO CHANGE WITHOUT NOTICE

TITLE:
Adapter Plate, Toggle Switch, Cover-Up

TOLERANCE UNLESS OTHERWISE SPECIFIED			SCALE: 1:2	SIZE: A
.XX DECIMAL ± .015	.XXX DECIMAL ± .005			
ANGLE ± 2°		DRAWN BY: JRM	APP. BY: N.S.	DATE: 07-03-23

NOTES:
1. ALL DIMENSIONS ARE IN INCHES AND [MILLIMETERS]

**DO NOT USE THIS PAGE FOR THE PDF;
MERGE ARTWORK PDF
INTO THIS DRAWING
07-03-23 JRM**