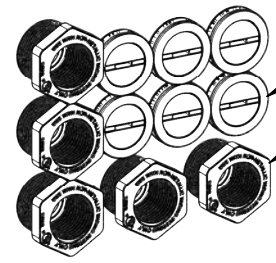
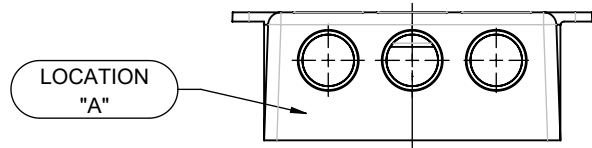


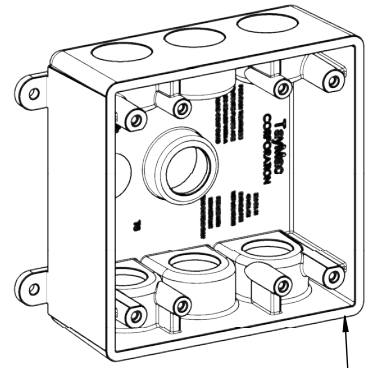
REVISIONS			
REV.	DATE	DESCRIPTION	BY
-	05-16-23	INITIAL RELEASE	RMV

FILE NO.: PDB77550 CUS

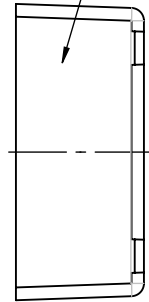
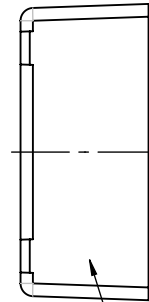
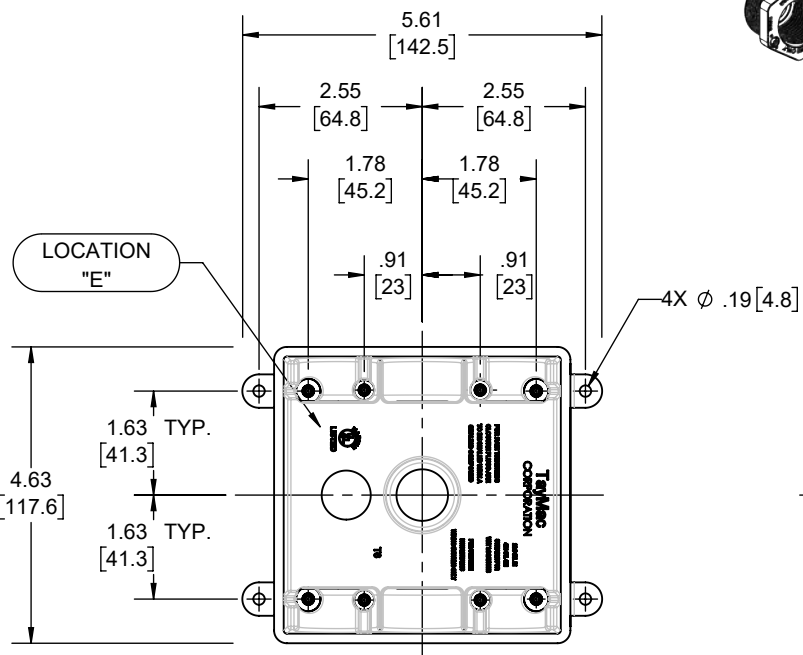


Plug, Non-Metallic, 3/4"

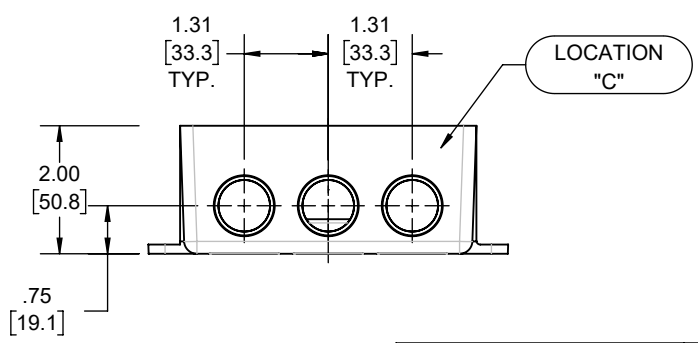
Reducer, 3/4-1/2 NPT, Non-Metallic



FS Box, 2-Gang, Non-Metallic, 7 Hole, 3/4"



LOCATION "D"



DESCRIPTION	MATERIAL	FINISH
REDUCERS	PVC	-
PLUGS	PVC	-
BOX	PVC	-

LIST OF PARTS

THE DESIGN AND DIMENSIONS OF THE PRODUCT SHOWN ON THIS DRAWING ARE SUBJECT TO CHANGE WITHOUT NOTICE

TITLE:

PLASTIC ROUND BOX ADAPTER

KNOCKOUTS		
TRADE SIZE	LOCATION	QTY.
3/4" NPT	A, C	3
3/4" NPT	E	1

TOLERANCE UNLESS OTHERWISE SPECIFIED  
 .XX DECIMAL ± .015  
 .XXX DECIMAL ± .005  
 ANGLE ± 2°



DRAWN BY:	RMV	SCALE:	SIZE:
APP. BY:	N.S.		
DATE:	05-16-23	1:3	

- NOTES:
1. ALL DIMENSIONS ARE IN INCHES AND [MILLIMETERS]
  2. BOX VOLUME: 26.5 IN³ [434.2 CM³]
  3. MARINE UL LISTED

DIMENSION SHEET FOR CAT. NO. PDB77550 SERIES

8.5in\*1in  
**A**