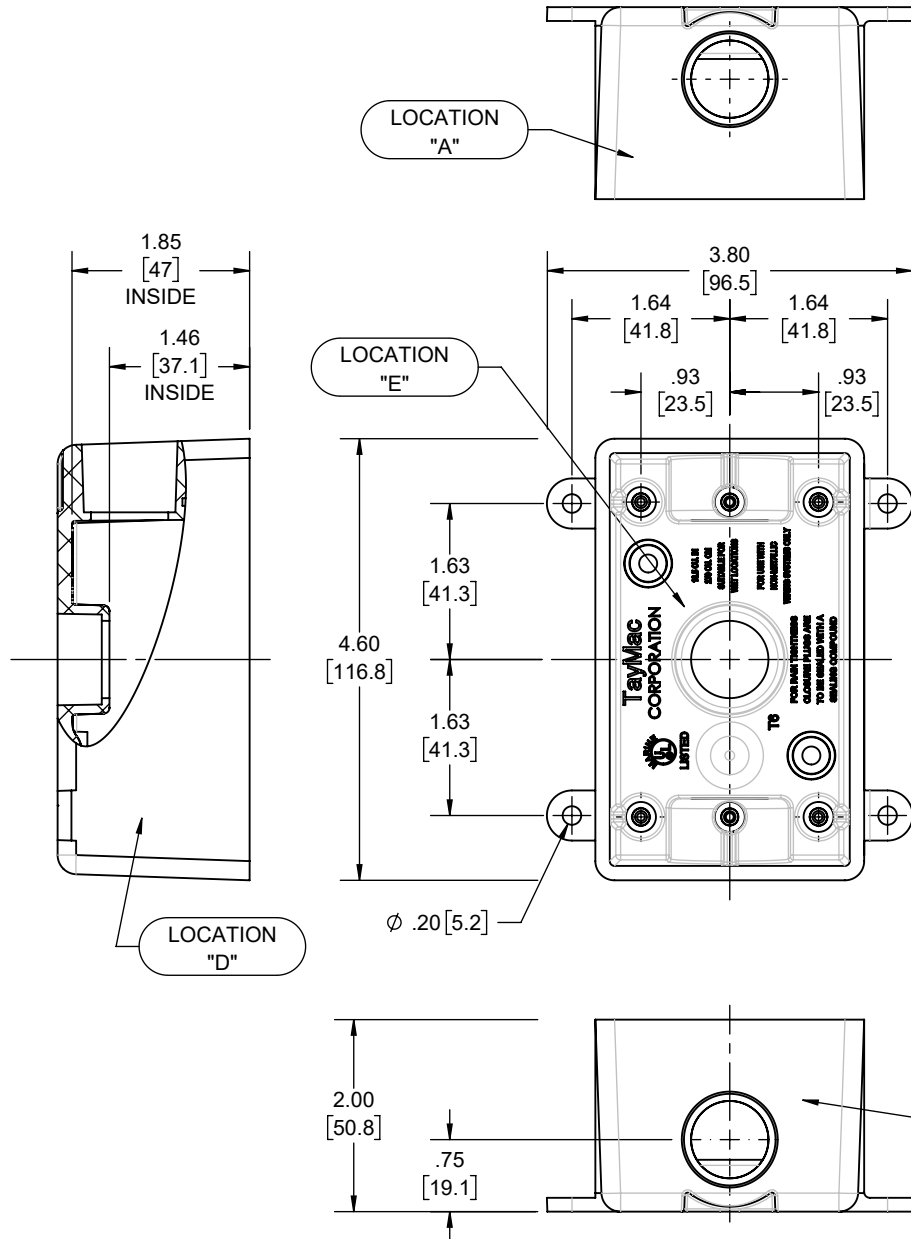
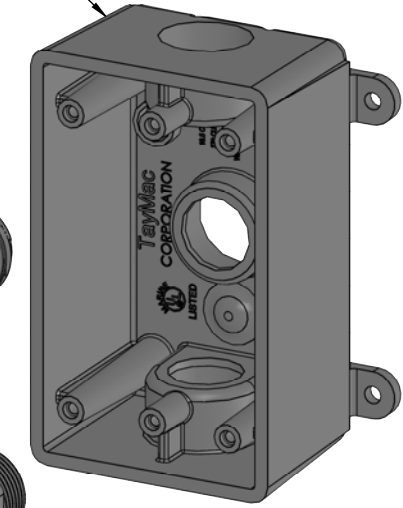


REVISIONS			
REV.	DATE	DESCRIPTION	BY
-	02-16-22	INITIAL RELEASE	RMV



(FS Box, 1-Gang, Non-Metallic, 3 Hole, 3/4")

(Plug, Non-Metallic, 3/4")



(Reducer, 3/4-1/2 NPT, Non-Metallic)

DESCRIPTION	MATERIAL	FINISH
PLUGS	PVC	GRAY
REDUCERS	PVC	GRAY
BOX	PVC	GRAY

LIST OF PARTS

THE DESIGN AND DIMENSIONS OF THE PRODUCT SHOWN ON THIS DRAWING ARE SUBJECT TO CHANGE WITHOUT NOTICE

TITLE:
PLASTIC 1 GANG OUTLET BOX, GRAY

TOLERANCE UNLESS OTHERWISE SPECIFIED

.XX DECIMAL $\pm .015$
.XXX DECIMAL $\pm .005$
ANGLE $\pm 2^\circ$



DRAWN BY:	RMV	SCALE:	SIZE:
APP. BY:	N.S.		
DATE:	02-16-22	1:2	A

KNOCKOUTS		
TRADE SIZE	LOCATION	QTY.
3/4" NPT	A, C, E	1

- NOTES:
1. ALL DIMENSIONS ARE IN INCHES AND [MILLIMETERS]
 2. BOX VOLUME: 16.5 IN³ [270.0 CM³]
 3. UL LISTED