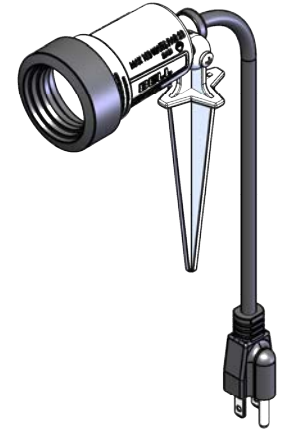
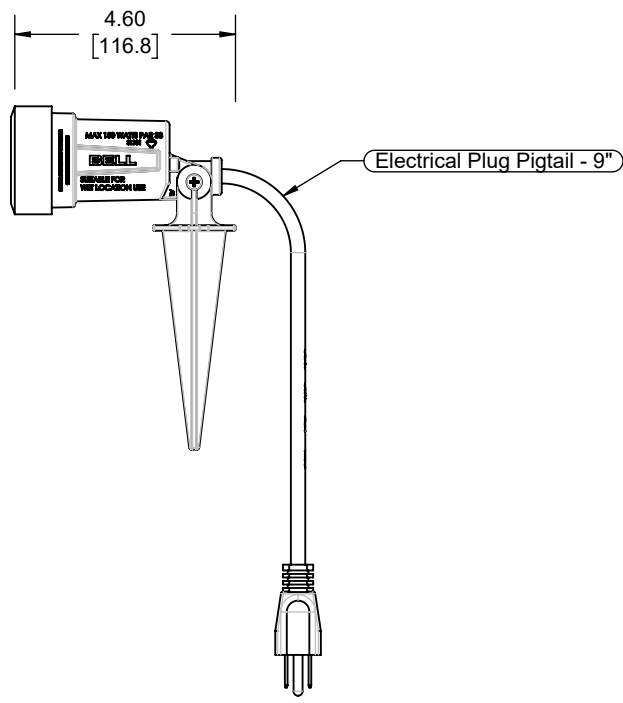
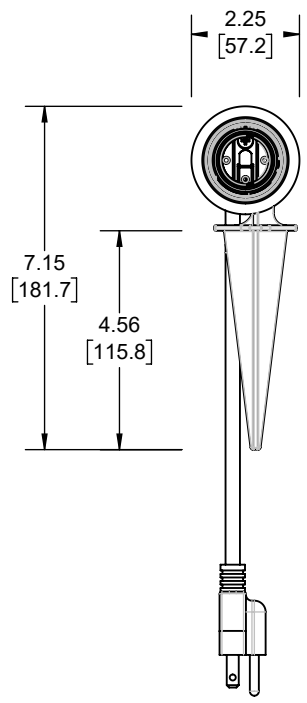


REVISIONS			
REV.	DATE	DESCRIPTION	BY
-	02-14-22	INITIAL RELEASE	RMV

FILE NO.: SL101B CUS

DIMENSION SHEET FOR CAT. NO. SL101B



THE DESIGN AND DIMENSIONS OF THE PRODUCT SHOWN ON THIS DRAWING ARE SUBJECT TO CHANGE WITHOUT NOTICE

TITLE:
Spike Light Assembly

- NOTES:
 1. ALL DIMENSIONS ARE IN INCHES AND [MILLIMETERS]
 2. cULus LISTED

TOLERANCE UNLESS OTHERWISE SPECIFIED .XX DECIMAL ± .015 .XXX DECIMAL ± .005 ANGLE ± 2°			SCALE: 1:4 SIZE: A
	DRAWN BY: RMV	APP. BY: N.S.	
	DATE: 02-14-22	SCALE: 1:4	

8.5in*1in