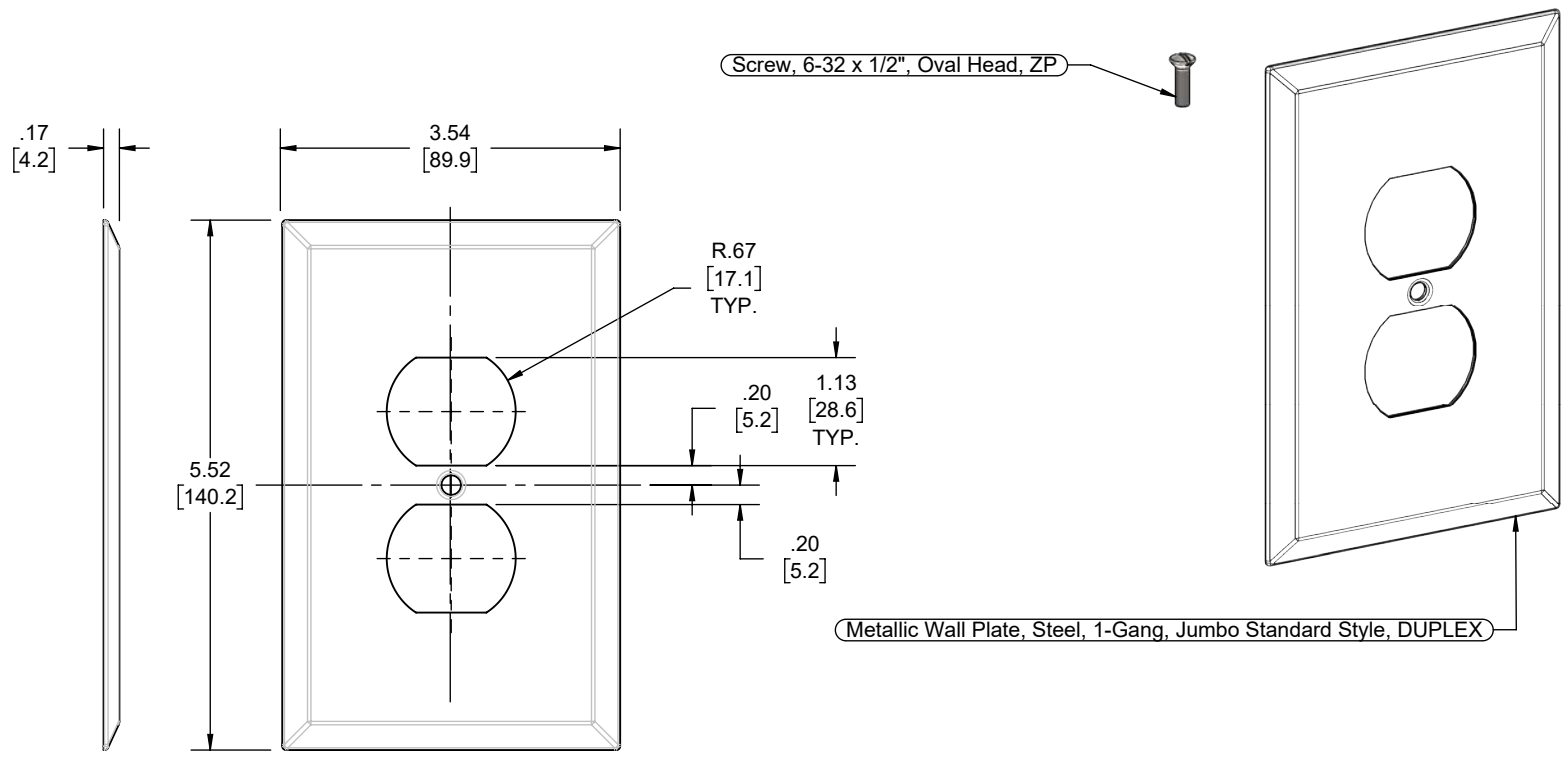


REVISIONS			
REV.	DATE	DESCRIPTION	BY
-	05-31-23	INITIAL RELEASE	RMV

FILE NO.: WJW-D-CUS



DESCRIPTION	MATERIAL	FINISH
FASTENERS	STEEL	GALVANIZED
ADAPTER PLATE	STEEL	GALVANIZED

LIST OF PARTS

THE DESIGN AND DIMENSIONS OF THE PRODUCT SHOWN ON THIS DRAWING ARE SUBJECT TO CHANGE WITHOUT NOTICE

TITLE:
**ADAPTER PLATE, DUPLEX,
 COVER-UP, DECORATOR STYLE,
 WHITE**

TOLERANCE UNLESS OTHERWISE SPECIFIED .XX DECIMAL ± .015 .XXX DECIMAL ± .005 ANGLE ± 2°		
	DRAWN BY: RMV APP. BY: N.S. DATE: 05-31-23	SCALE: 1:2 SIZE: A

- NOTES:
1. ALL DIMENSIONS ARE IN INCHES AND [MILLIMETERS]
 2. UL LISTED

DIMENSION SHEET FOR CAT. NO. WJW-D

8.5in*1in