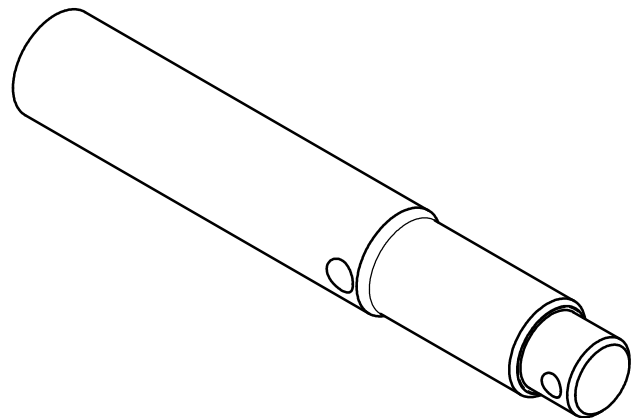
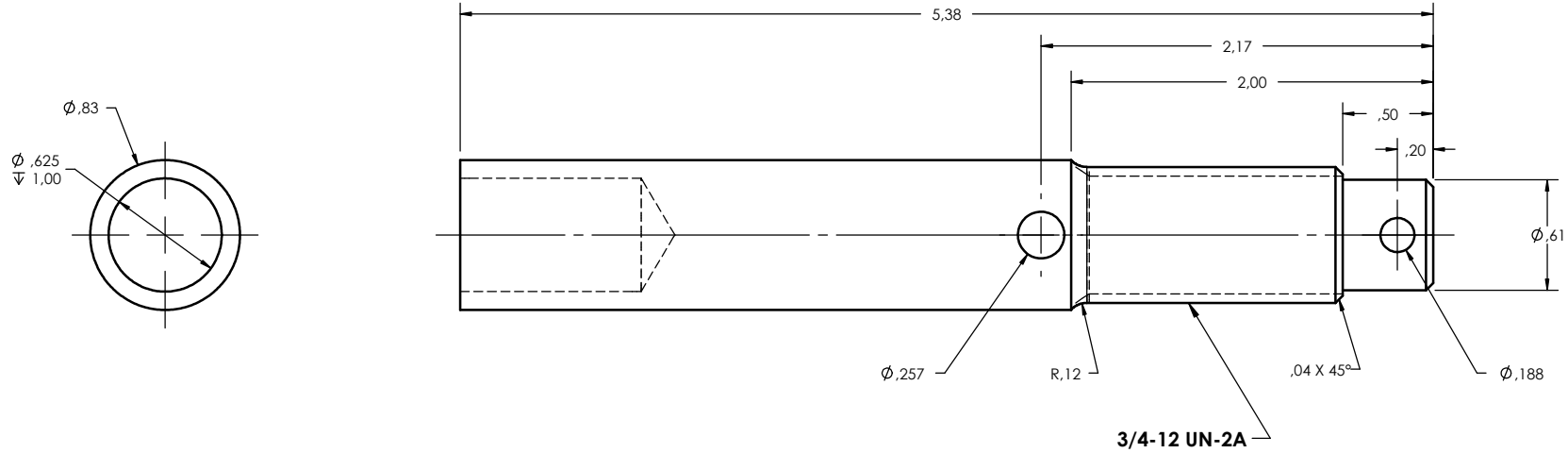


NOTES:

1 MATERIAL: ELECTROLYTIC COPPER TYPE: 110 ETP, ASTM B187 

REVISIONS					
ZONE	REV.	DESCRIPTION	DRAWN BY	DATE	APPR.
F5	A	ADD THE MATERIAL SPECIFICATION IN NOTE #1	J. CLICHE	2014-04-11	J.V.



ITEM NO.	QTY	DRAWING NO.	PART NO.	DESCRIPTION	NOTE / MAT'L
1	1	S-1001-4195		CONNECTOR 3/4-12 UN	COPPER

PARTS LIST					
GENERAL TOLERANCES (UNLESS OTHERWISE SPECIFIED)			ElectroComposites™ solid HV bushings solution		
X.	±0.040	TITLE: SHORT CONNECTOR 3/4-12 UN WITH FEMALE Ø5/8 x 1.00			
.X	±0.020				
.XX	±0.010				
.XXX	±0.004				
ANGLES	±0.25°				
RADIUS	±0.010				
REMOVE BURRS AND BREAK SHARP EDGES			DRAWN BY: I. LÉVEILLÉ DATE: 2008/01/18		
DIMENSIONS ARE IN INCHES (UNLESS OTHERWISE SPECIFIED)			CHECK BY: PROJECTING: PROJECT MANAGER:		
			SCALE: 1:1 GENERATED BY: SolidWorks 2013 SHEET: 1 of 1		

This drawing is the proprietary property of Electro Composites (2008) ULC, not part of the public domain, and is issued with the express understanding and agreement that it is not to be reproduced or copied in whole or in part or issued for furnishing information to others, or used directly or indirectly, in any way detrimental to the interest of Electro Composites (2008) ULC and is to be returned upon request by Electro Composites (2008) ULC. All Rights Reserved.