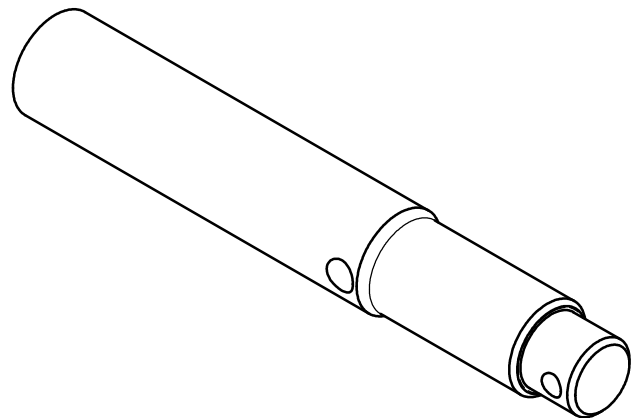
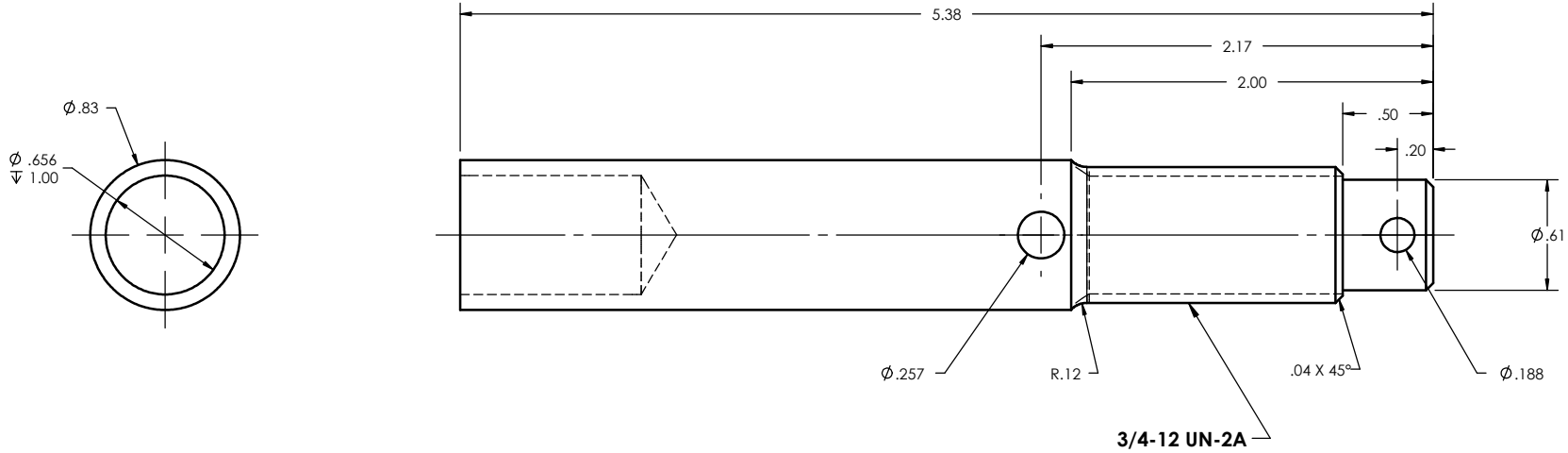


NOTES:

1 MATERIAL: ELECTROLYTIC COPPER TYPE: 110 ETP, ASTM B187

REVISIONS					
ZONE	REV.	DESCRIPTION	DRAWN BY	DATE	APPR.



1	1	S-1001-4735	CONNECTOR 3/4-12 UN	COPPER	
ITEM NO.	QTY	DRAWING NO.	PART NO.	DESCRIPTION	NOTE / MAT'L

PARTS LIST					
GENERAL TOLERANCES (UNLESS OTHERWISE SPECIFIED)  X. ±0.040 .X ±0.020 .XX ±0.010 .XXX ±0.004 ANGLES ±0.25° RADIUS ±0.010			<b>ElectroComposites™</b> <b>solid HV bushings solution</b>		
REMOVE BURRS AND BREAK SHARP EDGES  DIMENSIONS ARE IN INCHES (UNLESS OTHERWISE SPECIFIED)			<b>TITLE:</b> <b>SHORT CONNECTOR 3/4-12 UN            WITH FEMALE Ø.656" x 1.00</b>		
DRAWN BY: J. CLICHE		DATE: 2017/08/21		FORMAT A	REVISION NR
PROJECTING:		SCALE 1:1		GENERATED BY: SolidWorks 2013	SHEET 1 of 1

This drawing is the proprietary property of Electro Composites (2008) ULC, not part of the public domain, and is issued with the express understanding and agreement that it is not to be reproduced or copied in whole or in part or issued for furnishing information to others, or used directly or indirectly, in any way detrimental to the interest of Electro Composites (2008) ULC and is to be returned upon request by Electro Composites (2008) ULC. All Rights Reserved.