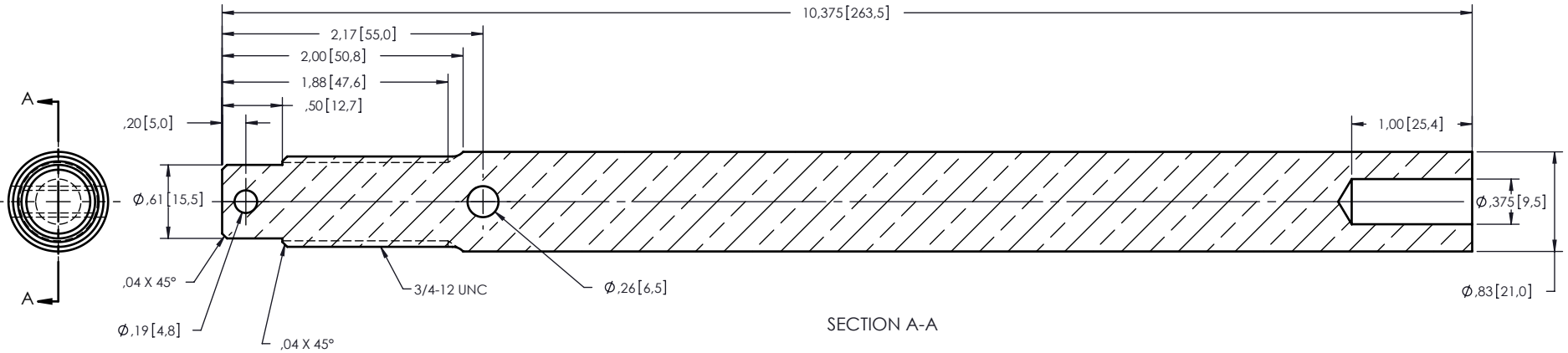


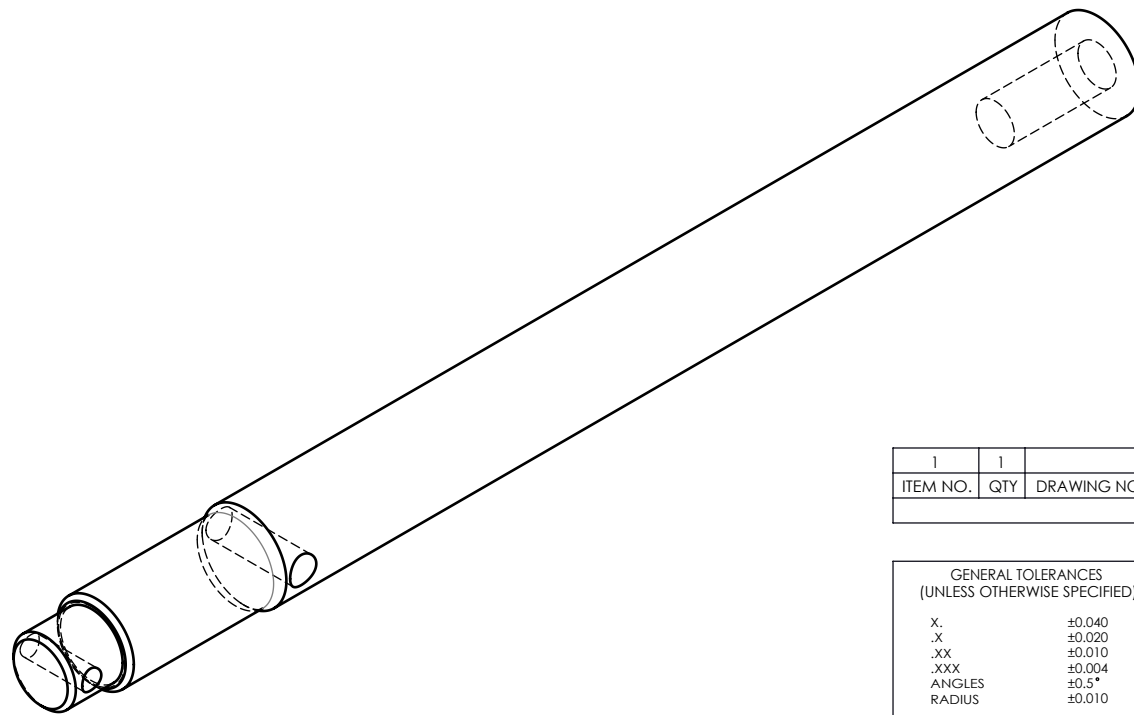
NOTES:

1 MATERIAL: COPPER

RÉVISIONS					
ZONE	REV.	DESCRIPTION	DESSINÉ PAR	DATE	APPR.



SECTION A-A



1	1			CONNECTOR	COPPER
ITEM NO.	QTY	DRAWING NO.	PART NO.	DESCRIPTION	NOTE / MATL
PARTS LIST					

GENERAL TOLERANCES  
(UNLESS OTHERWISE SPECIFIED)

X.	±0.040
.X	±0.020
.XX	±0.010
.XXX	±0.004
ANGLES	±0.5°
RADIUS	±0.010

REMOVE BURRS AND  
BREAK SHARP EDGES

DIMENSIONS ARE IN  
INCHES  
(UNLESS OTHERWISE SPECIFIED)

REPLACE:

Q105695

DRAWN BY: J. Cliche DATE: 2009/03/18

CHECK BY:

PROJECT ENG.:

PROJECT MANAGER:



TITLE: DRAWLEAD CONNECTOR  
3/4-12 UN X 10'3/8 CRIMP TYPE

FORMAT: A	CAGE CODE	DRAWING NO.: S-1001-5316	REVISION: NR
-----------	-----------	--------------------------	--------------

SCALE: 3:4	GENERATED BY: SolidWorks 2008	SHEET: 1 of 1
------------	-------------------------------	---------------

This drawing is the proprietary property of Electro Composites inc., not part of the public domain, and is issued with the express understanding and agreement that it is not to be reproduced or copied in whole or in part or issued for furnishing information to others, or used directly or indirectly, in any way detrimental to the interest of Electro Composites inc. and is to be returned upon request by Electro Composites inc. All Rights Reserved.