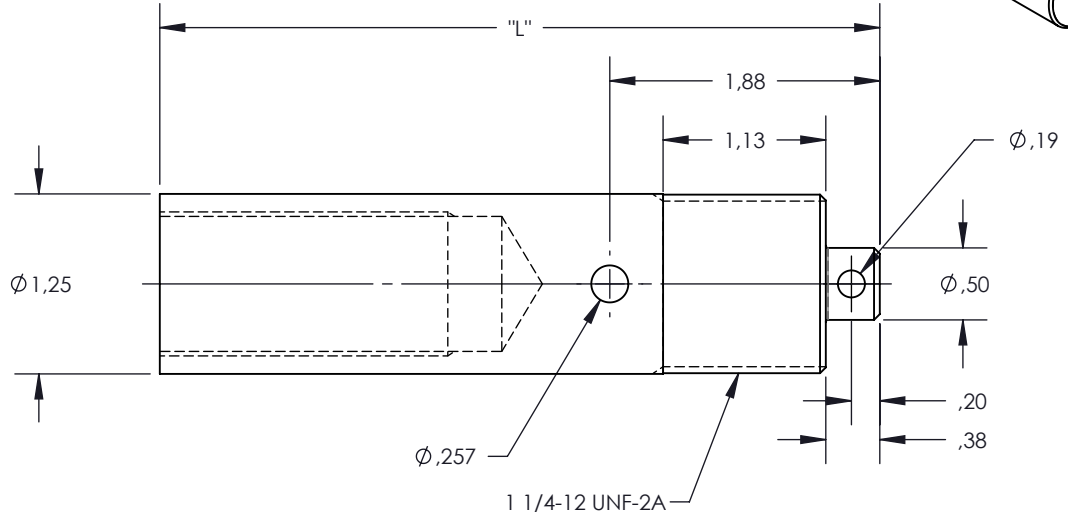
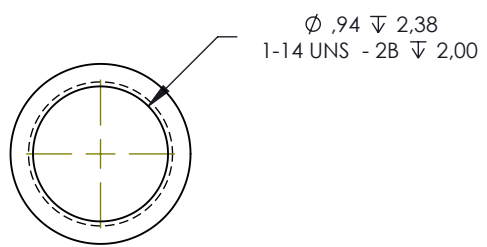
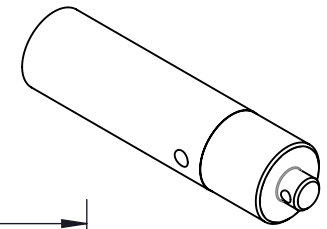


REVISIONS					
ZONE	REV.	DESCRIPTION	DRAWN BY	DATE	APPR.



PART N°	LENGTH "L"
S-1001-7060-001	5.00

1	1	S-1001-7060	800A DRAW LEAD ADAPTER	COPPER	
ITEM NO.	QTY	DRAWING NO.	PART NO.	DESCRIPTION	NOTE / MAT'L

PARTS LIST				
GENERAL TOLERANCES (UNLESS OTHERWISE SPECIFIED) X. ± 0.040 .X ± 0.020 .XX ± 0.010 .XXX ± 0.004 ANGLES $\pm 0.25^\circ$ RADIUS ± 0.010		Electro Composites solid HV bushings solution TITLE: 800A DRAW LEAD ADAPTER $\phi 1.0-14$ NS TO $\phi 1 1/4-12$ NF		
REMOVE BURRS AND BREAK SHARP EDGES DIMENSIONS ARE IN INCHES (UNLESS OTHERWISE SPECIFIED)				
DRAWN BY: A.SAVARD CHECK BY: PROJECT ENG.: PROJECT MANAGER:		DATE: 2012/02/21 SCALE: 1 : 10		REVISION: NR
FORMAT: A CAGE CODE: DRAWING NO.: S-1001-7060 GENERATED BY: SolidWorks 2009		SHEET: 1 of 1		

This drawing is the proprietary property of Electro Composites (2008) ULC, not part of the public domain, and is issued with the express understanding and agreement that it is not to be reproduced or copied in whole or in part or issued for furnishing information to others, or used directly or indirectly, in any way detrimental to the interest of Electro Composites (2008) ULC and is to be returned upon request by Electro Composites (2008) ULC. All Rights Reserved.