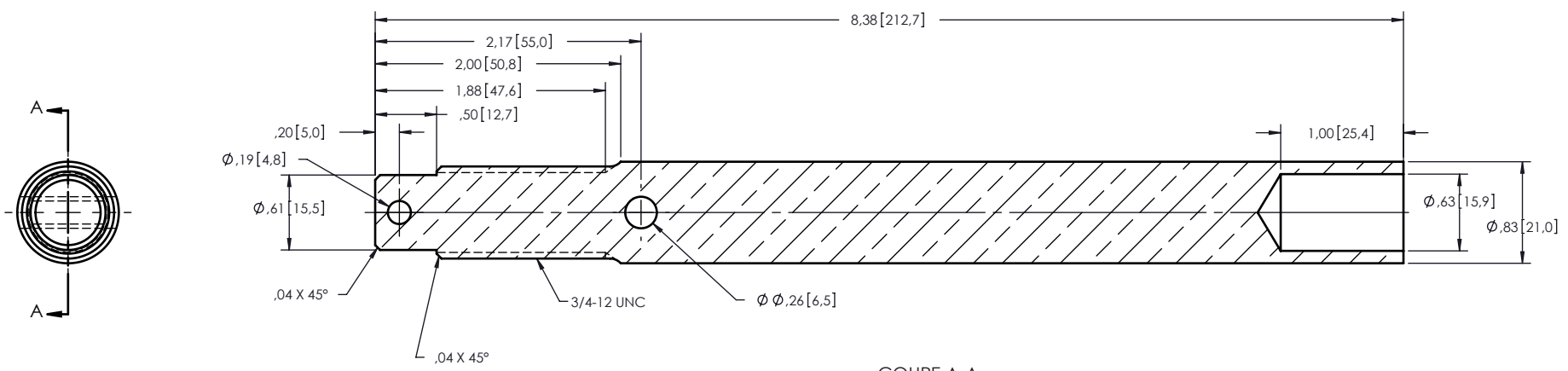


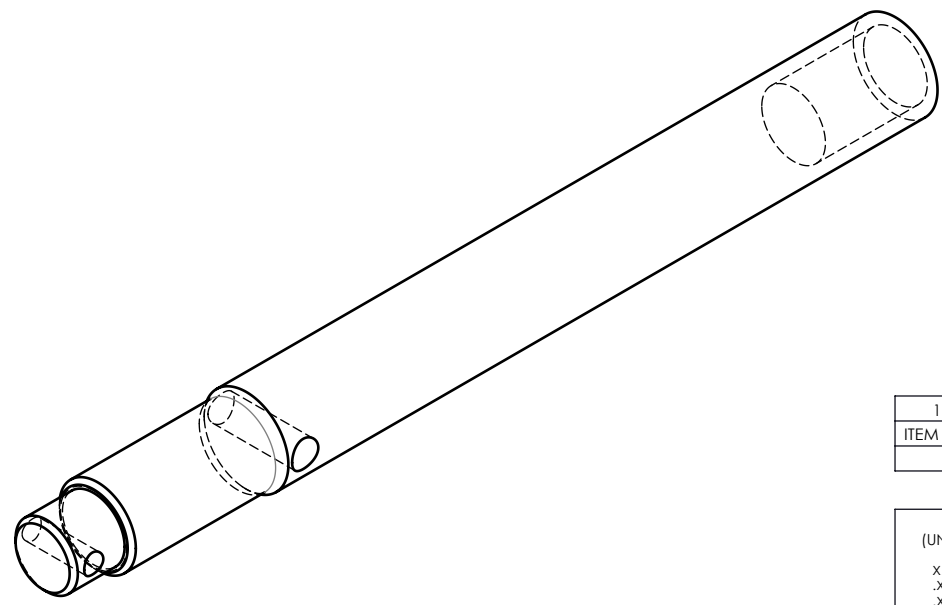
NOTES:

1 MATERIAL: COPPER

RÉVISIONS					
ZONE	REV.	DESCRIPTION	DESSINÉ PAR	DATE	APPR.



COUPE A-A



1	1			CONNECTOR	COPPER
ITEM NO.	QTY	DRAWING NO.	PART NO.	DESCRIPTION	NOTE / MATL
PARTS LIST					

<p>GENERAL TOLERANCES (UNLESS OTHERWISE SPECIFIED)</p> <p>X. ±0.040 .X ±0.020 .XX ±0.010 .XXX ±0.004 ANGLES ±0.5° RADIUS ±0.010</p>		<p>REPLACE:</p>	<p>electrocomposites division of eci</p>		
<p>REMOVE BURRS AND BREAK SHARP EDGES</p> <p>DIMENSIONS ARE IN INCHES (UNLESS OTHERWISE SPECIFIED)</p>		<p>DRAWN BY: J. Cliche DATE: 2008/10/02</p> <p>CHECK BY:</p> <p>PROJECT ENG.:</p> <p>PROJECT MANAGER:</p>	<p>TITLE: DRAWLEAD CONNECTOR 3/4-12 UN CRIMP TYPE</p>		
		<p>SCALE: 3:4</p>	<p>FORMAT: A</p>	<p>CAGE CODE: S-5306-5052</p>	<p>DRAWING NO.: NR</p>
		<p>GENERATED BY: SolidWorks 2008</p>	<p>SHEET: 1 of 1</p>		

This drawing is the proprietary property of Electro Composites inc., not part of the public domain, and is issued with the express understanding and agreement that it is not to be reproduced or copied in whole or in part or issued for furnishing information to others, or used directly or indirectly, in any way detrimental to the interest of Electro Composites inc. and is to be returned upon request by Electro Composites inc. All Rights Reserved.