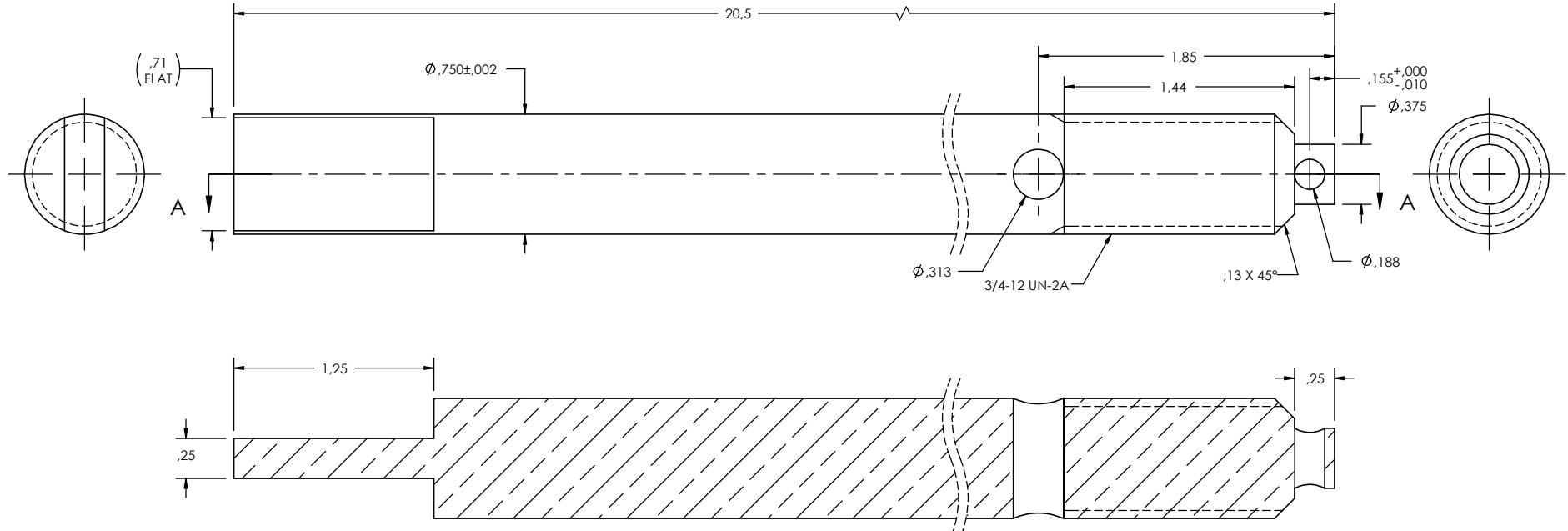


NOTES:

1 MATERIAL: ELECTROLYTIC COPPER, ALLOY TYPE 110 ETP, ASTM B187.

REVISIONS					
ZONE	REV.	DESCRIPTION	DRAWN BY	DATE	APPR.



COUPE A-A

This drawing is the proprietary property of Electro Composites (2008) ULC, not part of the public domain, and is issued with the express understanding and agreement that it is not to be reproduced or copied in whole or in part or issued for furnishing information to others, or used directly or indirectly, in any way detrimental to the interest of Electro Composites (2008) ULC and is to be returned upon request by Electro Composites (2008) ULC. All Rights Reserved.

GENERAL TOLERANCES
(UNLESS OTHERWISE SPECIFIED)

X.	±0.040
.X	±0.020
.XX	±0.010
.XXX	±0.004
ANGLES	±0.25°
RADIUS	±0.010

REMOVE BURRS AND
BREAK SHARP EDGES

DIMENSIONS ARE IN
INCHES
(UNLESS OTHERWISE SPECIFIED)

Electro Composites
solid HV bushings solution

TITLE:
CONNECTOR 3/4-12 X 20.5"

DRAWN BY: A.SAVARD	DATE: 2018/07/04	FORMAT A	CAGE CODE	DRAWING NO. S-7864-9738	REVISION NR
CHECK BY:		SCALE 1:1	GENERATED BY: SolidWorks 2013	SHEET 1 of 1	
PROJECTING:					
PROJECT MANAGER:					