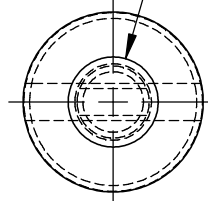


NOTES:

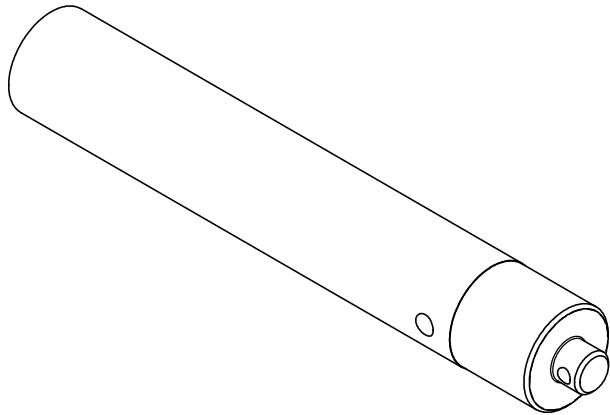
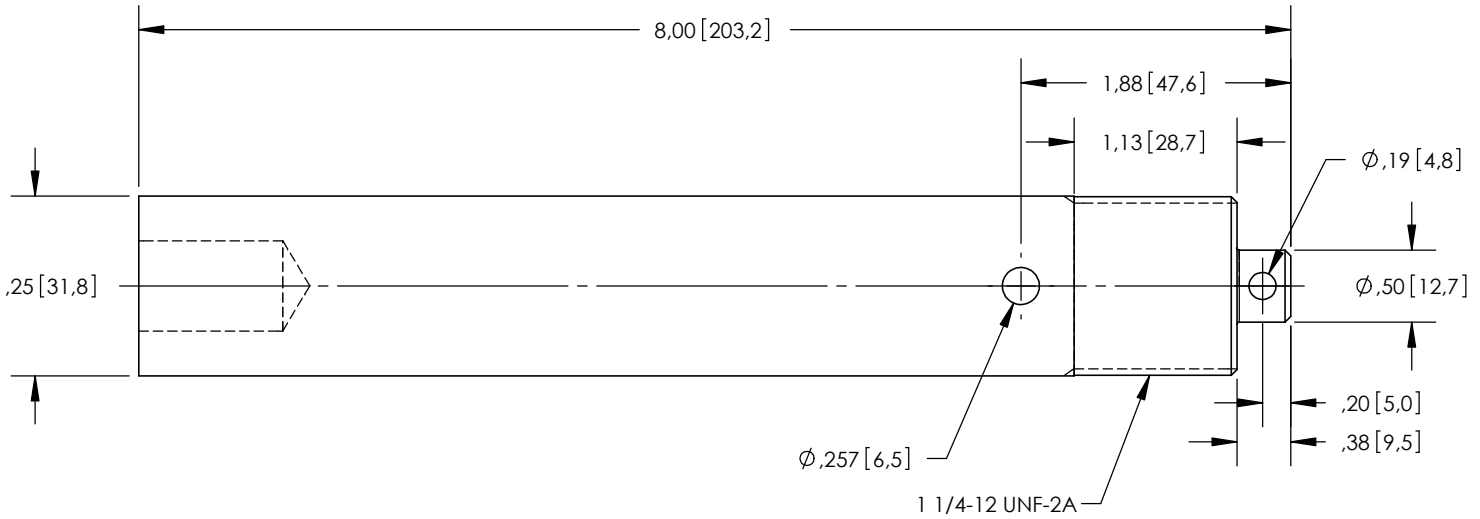
- 1 MATERIAL: ELECTROLYTIC COPPER ALLOY, TYPE 110 ETP, ASTM B187
- 2 MINIMUM SURFACE FINISH 125 MICRONS REQUIRED ON ALL SURFACES UNLESS OTHERWISE NOTED

REVISIONS					
ZONE	REV.	DESCRIPTION	DRAWN BY	DATE	APPR.

$\phi .625 [15.9]$
 $\nabla 1.00 [25.4]$



$\phi 1.25 [31.8]$



GENERAL TOLERANCES (UNLESS OTHERWISE SPECIFIED)

X.	± 0.040
.X	± 0.020
.XX	± 0.010
.XXX	± 0.004
ANGLES	$\pm 0.25^\circ$
RADIUS	± 0.010

REMOVE BURRS AND BREAK SHARP EDGES

DIMENSIONS ARE IN INCHES

(UNLESS OTHERWISE SPECIFIED)

Electro Composites™
solid HV bushings solution

TITLE:
CONNECTOR 1 1/4-12 NF WITH FEMALE $\phi 5/8 \times 1.00$

DRAWN BY: A.SAVARD	DATE: 2015/05/22	FORMAT: A	CAGE CODE:	DRAWING NO.: S-8965-8819	REVISION: NR
CHECK BY:	PROJECT ING.:	PROJECT MANAGER:	SCALE: 1 : 2	GENERATED BY: SolidWorks 2013	SHEET: 1 of 1

This drawing is the proprietary property of Electro Composites (2008) ULC, not part of the public domain, and is issued with the express understanding and agreement that it is not to be reproduced or copied in whole or in part or issued for furnishing information to others, or used directly or indirectly, in any way detrimental to the interest of Electro Composites (2008) ULC and is to be returned upon request by Electro Composites (2008) ULC. All Rights Reserved.