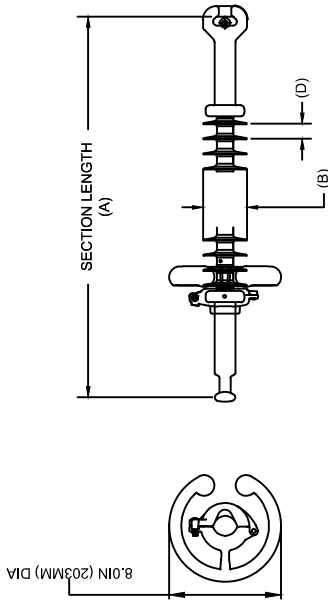


OHIO BRASS QUADRI*SIL SUSPENSION INSULATOR



HUBBELL POWER SYSTEMS, INC.
 CUSTOMER SERVICE: (573) 682-5521
 www.hubbellpowersystems.com

CAT NO.: S030090S301A	
REV: 00	March 4, 2018



MECHANICAL VALUES	LBS	KN
SPECIFIED TENSILE LOAD (STL)	30000	133
MAX DESIGN TENSILE LOAD (RTL)	15000	66.5

ELECTRICAL VALUES	KV
60 HZ DRY FLASHOVER (DRY WITHSTAND)	880 -
60 HZ WET FLASHOVER (WET WITHSTAND)	805 (600)
CRITICAL IMPULSE FLASHOVER + (WITHSTAND)	1450 (1305)
CRITICAL IMPULSE FLASHOVER - (WITHSTAND)	1475 (1325)
RIV AT 115% SYSTEM VOLTAGE	≤100 μV

DIMENSIONAL VALUES	IN.	MM
SECTION LENGTH (A)	101.2	2570
MAJOR SHED DIAMETER (B)	2.9	73
MINOR SHED DIAMETER (C)	0	0
DRY ARC DISTANCE	89.9	2283
SHEATH THICKNESS	>0.118	>3
LEAKAGE DISTANCE	231	5867
SHED SPACING (D)	1.08	27.4
CORE ROD DIAMETER	0.625	15.9

END FITTINGS AND MATERIALS

LINE END: ANSI_52-5_BALL / GALV STEEL
 TOWER END: ANSI_52-5_SOCKET / GALV STEEL

NOTES:

1. SILICONE RUBBER SHEATH AND SHEDS. WASHABLE PER IEEE P957
2. ELECTRICAL VALUES PER ANSI C29.12 (IEC 61109 & 62217)
3. CORONA RING SHIPPED WITH BUT NOT ATTACHED TO INSULATOR.

OTHER DETAILS

CORONA RING (TOWER)	NONE
CORONA RING (LINE)	PSPISCRCL0083Q58 8.0 IN
TORQUE REQUIREMENTS	4 ft.-lb
MOUNTING ANGLE	-
NUMBER OF SHEDS	84
WEIGHT	15 lbs. 6.8 kg.

CONFIDENTIAL: THIS DRAWING AND ITS CONTENTS ARE CONFIDENTIAL AND THE EXCLUSIVE PROPERTY OF HUBBELL POWER SYSTEMS. NO PUBLICATION, DISTRIBUTION OR COPIES MAY BE MADE WITHOUT THE WRITTEN CONSENT OF HUBBELL POWER SYSTEMS. HUBBELL POWER SYSTEMS UNPUBLISHED ALL RIGHTS RESERVED UNDER THE COPYRIGHT LAWS