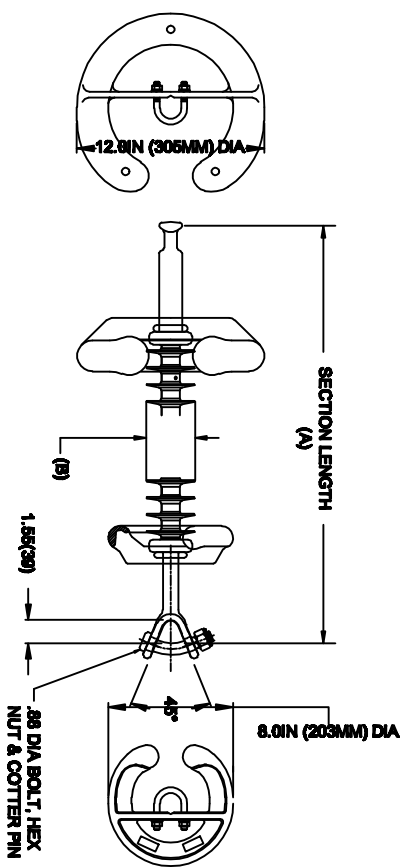


OHIO BRASS QUADRI-SIL SUSPENSION INSULATOR

CAT NO.:	S050103S201C
REV.:	00 March 4, 2018



HUBBELL POWER SYSTEMS, INC.
 CUSTOMER SERVICE: (573) 682-5521
www.hubbellpowersystems.com



MECHANICAL VALUES

MAX DESIGN TENSILE LOAD (RTL)	LBS	KN
	50000	222
SPECIFIED TENSILE LOAD (STL)		111
	25000	

ELECTRICAL VALUES

60 HZ DRY FLASHOVER (DRY WITHSTAND)	970	KV
60 HZ WET FLASHOVER (WET WITHSTAND)	870	(650)
CRITICAL IMPULSE FLASHOVER + (WITHSTAND)	1610	(1445)
CRITICAL IMPULSE FLASHOVER - (WITHSTAND)	1640	(1475)
RIV AT 115% SYSTEM VOLTAGE	≤100 μV	

DIMENSIONAL VALUES

SECTION LENGTH (A)	IN.	MM
	117.8	2992
MAJOR SHED DIAMETER (B)	3.1	78
MINOR SHED DIAMETER (C)	0	0
DRY ARC DISTANCE	101.7	2583
SHEATH THICKNESS	>0.118	>3
LEAKAGE DISTANCE	264	6705

END FITTINGS AND MATERIALS

TOWER END: ANSI_52-11 BALL / GALV STEEL
 LINE END: Y-CLEVIS / GALV STEEL

NOTES:

1. SILICONE RUBBER SHEATH AND SHEDS, WASHABLE PER IEEE P957
2. ELECTRICAL VALUES PER ANSI C29.17 (IEC 61109 & 62217)
3. CORONA RING SHIPPED WITH BUT NOT ATTACHED TO INSULATOR.

OTHER DETAILS

CORONA RING (TOWER)	271761-3002	8.0 IN
CORONA RING (LINE)	271705-3002	12.0 IN
TORQUE REQUIREMENTS	10 ft.-lb	
MOUNTING ANGLE	-	
NUMBER OF SHEDS	96	
WEIGHT	24.4 lbs.	11.1 kg.