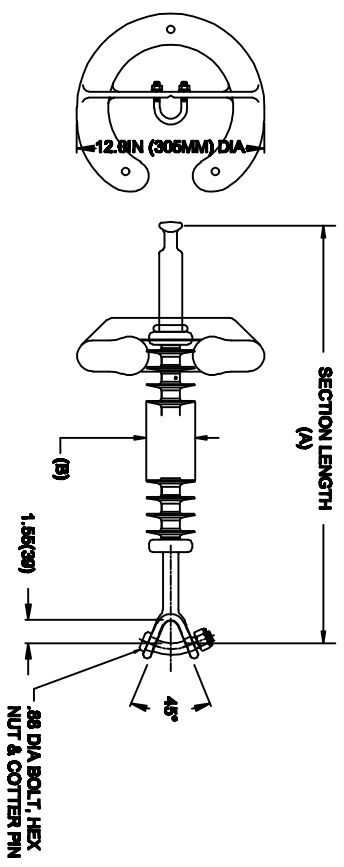


OHIO BRASS QUADRI-SIL SUSPENSION INSULATOR

CAT NO.:	S050107S201B
REV.:	00 March 4, 2018



HUBBELL POWER SYSTEMS, INC.
 CUSTOMER SERVICE: (573) 682-5521
www.hubbellpowersystems.com



MECHANICAL VALUES		
MAX DESIGN TENSILE LOAD (RTL)	LBS	KN
	50000	222
SPECIFIED TENSILE LOAD (STL)	LBS	KN
	25000	111

ELECTRICAL VALUES		
60 HZ DRY FLASHOVER (DRY WITHSTAND)	990	KV
60 HZ WET FLASHOVER (WET WITHSTAND)	910	(680)
CRITICAL IMPULSE FLASHOVER + (WITHSTAND)	1675	(1505)
CRITICAL IMPULSE FLASHOVER - (WITHSTAND)	1705	(1530)
RIV AT 115% SYSTEM VOLTAGE	≤100	μV

DIMENSIONAL VALUES		
SECTION LENGTH (A)	IN.	MM
	122.1	3101
MAJOR SHED DIAMETER (B)	3.1	78
MINOR SHED DIAMETER (C)	0	0
DRY ARC DISTANCE	106.6	2707
SHEATH THICKNESS	>0.118	>3
LEAKAGE DISTANCE	275	6985

END FITTINGS AND MATERIALS

TOWER END: ANSI_52-11_BALL / GALV STEEL
 LINE END: Y-CLEVIS / GALV STEEL

OTHER DETAILS

CORONA RING (TOWER)	NONE
CORONA RING (LINE)	271705-3002 12.0 IN
TORQUE REQUIREMENTS	10 ft.-lb
MOUNTING ANGLE	-
NUMBER OF SHEDS	100
WEIGHT	22.9 lbs. 10.4 kg.

- NOTES:**
1. SILICONE RUBBER SHEATH AND SHEDS, WASHABLE PER IEEE P957
 2. ELECTRICAL VALUES PER ANSI C29.17 (IEC 61109 & 62217)
 3. CORONA RING SHIPPED WITH BUT NOT ATTACHED TO INSULATOR.