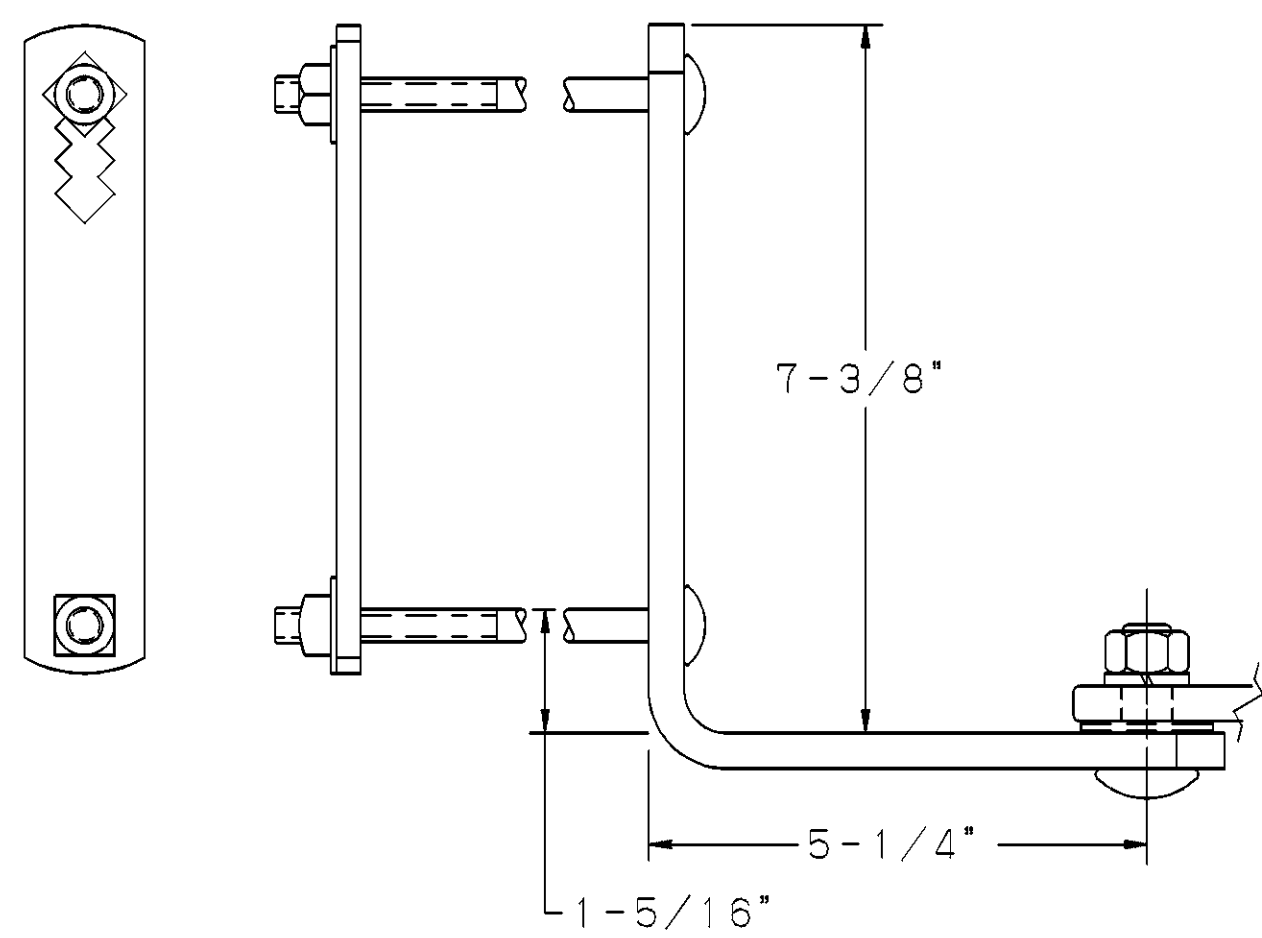
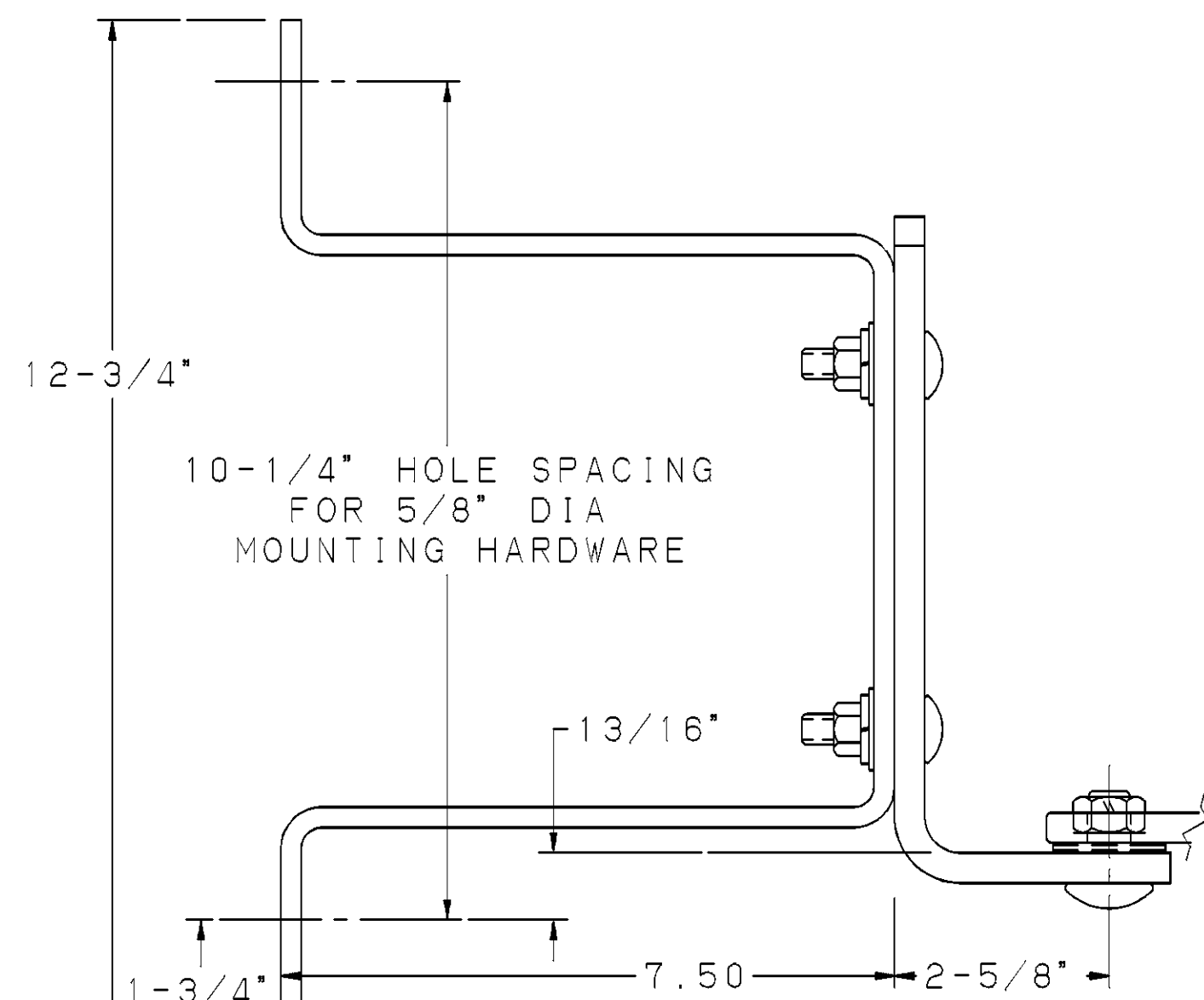


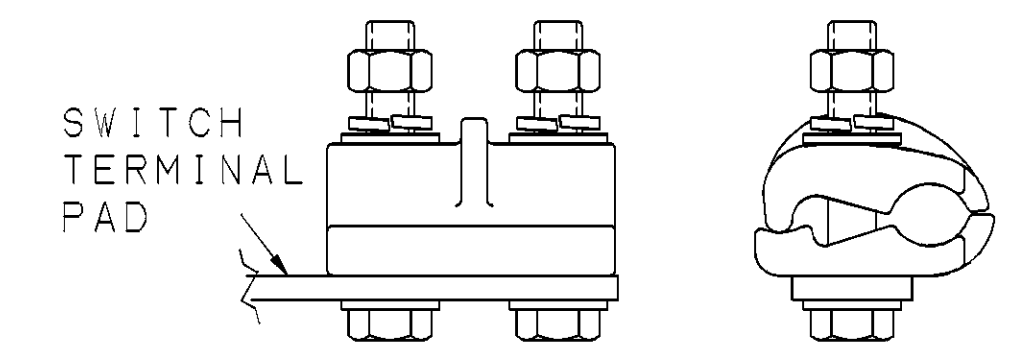
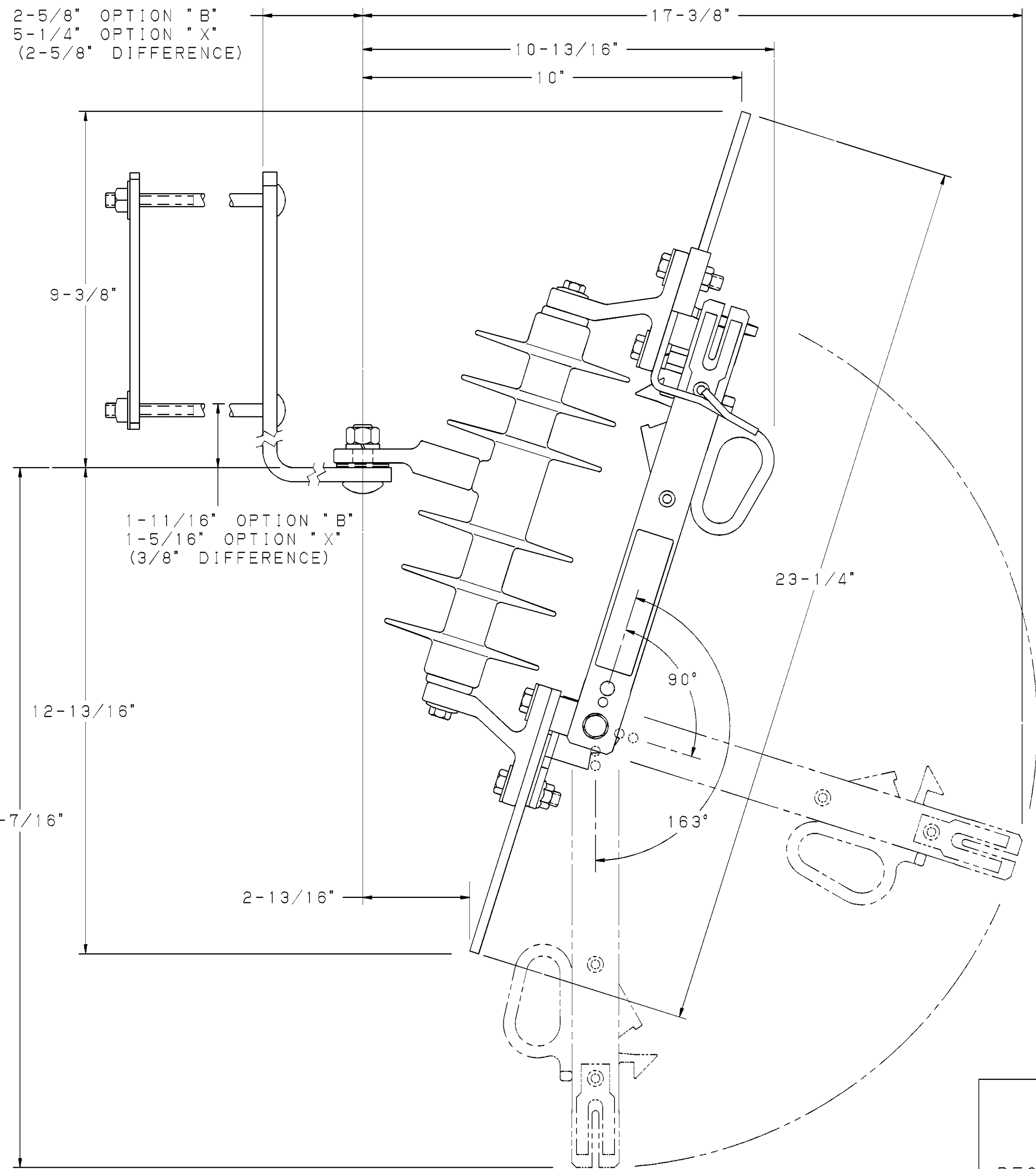
OPTION "B"
NEMA "B" BRACKET



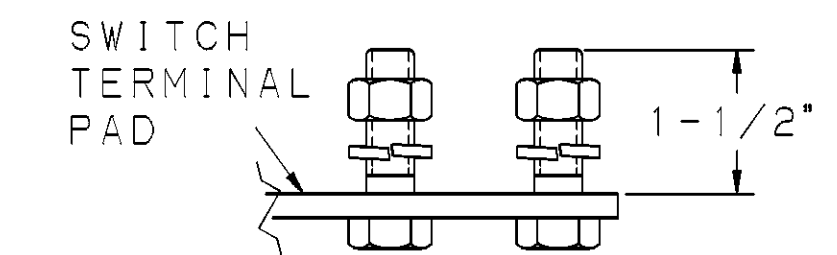
OPTION "X"
EXTENDED BRACKET



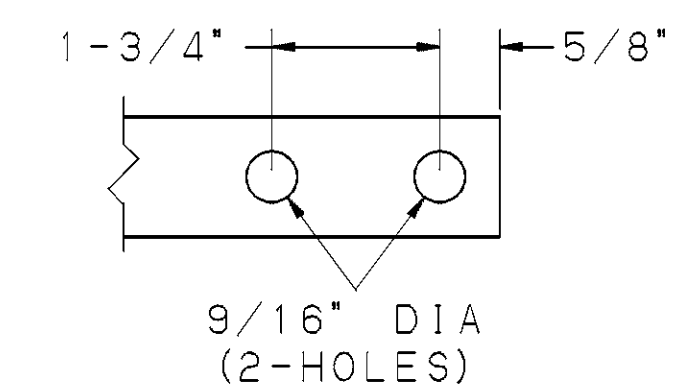
OPTION "D"
"D" BRACKET



OPTION "P"
PARALLEL GROOVE TERMINALS
CONSIST OF 2 EACH: CONNECTORS & HARDWARE
FOR #2-500 KCMIL COPPER OR ALUMINUM CONDUCTOR



OPTION "C"
CAPTIVE HARDWARE
CONSIST OF 4 EACH: 1/2" STAINLESS
STEEL BOLTS, LOCKWASHERS, & NUTS



TERMINAL PADS DETAIL

| CARTON INFORMATION | | | |
|--------------------|-------|--------|--------|
| LENGTH | WIDTH | HEIGHT | WEIGHT |
| 20-1/4" | 14" | 5-5/8" | 1 LB |

| CATALOG NUMBERING SYSTEM | |
|--------------------------|---|
| DESCRIPTION | OPTIONS |
| 15kV, 110kV LIW | B-NEMA "B" MOUNTING BRACKET (WT=2.86 LBS) |
| 600 AMP 6 | C-CAPTIVE HARDWARE (WT= .68 LBS) |
| (WT:8.53 LBS) | D-NEMA "D" MOUNTING BRACKET (WT=3.48 LBS) |
| 900 AMP 9 | P-PARALLEL GROOVE TERMINALS (WT=2.15 LBS) |
| (WT:9.30 LBS) | X-EXTENDED MOUNTING BRACKET (WT=3.67 LBS) |

| | | | | |
|----------------------------|------------------|----------------------------------|-----------------|--|
| LATEST EC NO: 18021 | REV. - | DATE - | CHANGED BY - | RESP ENGINEER - |
| - RELEASE FROM ENGINEERING | | | | DO NOT SCALE THIS DWG THIRD ANGLE PROJECTION ISO DUAL DIMENSIONS IN=INCH, MM=MILLIMETER |
| DRN BY: ROBERTS | DATE 04-27-06 | TITLE: 1-INSUL DISC SW (15KV) | SIZE D | DVG NO: SA-M3C15 |

CONFIDENTIAL: THIS DRAWING AND ITS CONTENTS ARE CONFIDENTIAL AND THE EXCLUSIVE PROPERTY OF HUBBELL / A. B. CHANCE COMPANY. NO PUBLICATION, DISTRIBUTION OR REPRODUCTION IS PERMITTED WITHOUT THE WRITTEN CONSENT OF HUBBELL / A. B. CHANCE COMPANY. © 2002 HUBBELL/A. B. CHANCE. UNPUBLISHED - ALL RIGHTS RESERVED UNDER THE COPYRIGHT LAWS