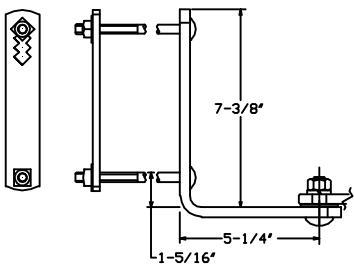
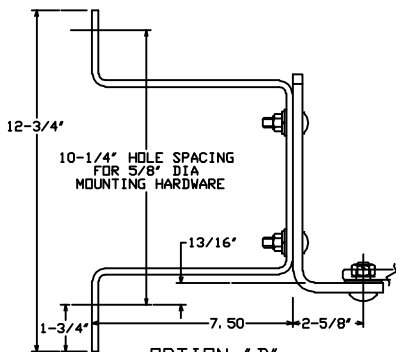


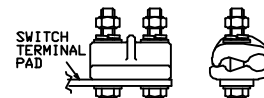
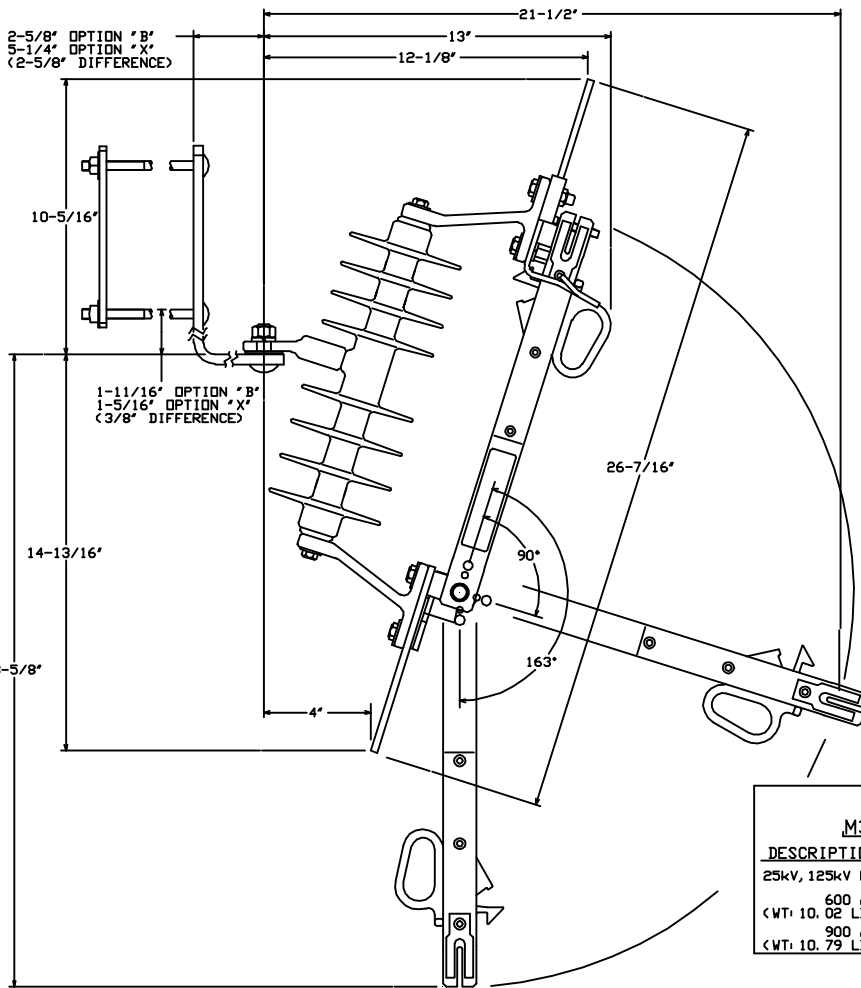
OPTION "B"
NEMA "B" BRACKET



OPTION "X"
EXTENDED BRACKET



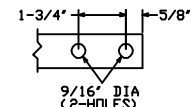
OPTION "D"
"D" BRACKET



OPTION "P"
PARALLEL GROOVE TERMINALS
CONSIST OF 2 EACH CONNECTORS & HARDWARE
FOR #2-500 KCMIL COPPER OR ALUMINUM CONDUCTOR



OPTION "C"
CAPTIVE HARDWARE
CONSIST OF 4 EACH: 1/2" STAINLESS
STEEL BOLTS, LOCKWASHERS, & NUTS



TERMINAL PADS DETAIL

CARTON INFORMATION			
LENGTH	WIDTH	HEIGHT	WEIGHT
25-1/2"	14"	6"	2 LBS

CATALOG NUMBERING SYSTEM	
M3C25-□□□□	
DESCRIPTION	OPTIONS
25KV, 125KV LIW	B-NEMA "B" MOUNTING BRACKET (WT=2.86 LBS)
600 AMP	C-CAPTIVE HARDWARE (WT=.68 LBS)
(WT: 10.02 LBS)	D-NEMA "D" MOUNTING BRACKET (WT=3.48 LBS)
900 AMP	P-PARALLEL GROOVE TERMINALS (WT=2.15 LBS)
(WT: 10.79 LBS)	X-EXTENDED MOUNTING BRACKET (WT=3.67 LBS)

CHANCE
TOLERANCE CHART
EC 18021

HUBBELL POWER SYSTEMS

TITLE: 1- INSUL DISC SW (25KV)

SIZE: DWD NO. D SA-M3C25 CAT / PART / ASBY NO. SEE CHART

REV: ---

DO NOT SCALE THIS DRAWING

DATE: 04-27-06 SHEET 01 OF 01

CONFIDENTIAL THIS DRAWING AND ITS CONTENTS ARE CONFIDENTIAL AND THE EXCLUSIVE PROPERTY OF HUBBELL POWER SYSTEMS. NO REPRODUCTION, DISTRIBUTION OR DISSEMINATION OF THIS DRAWING OR ANY PART THEREOF IS PERMITTED WITHOUT THE WRITTEN CONSENT OF HUBBELL POWER SYSTEMS. ALL RIGHTS RESERVED UNDER THE COPYRIGHT LAWS.